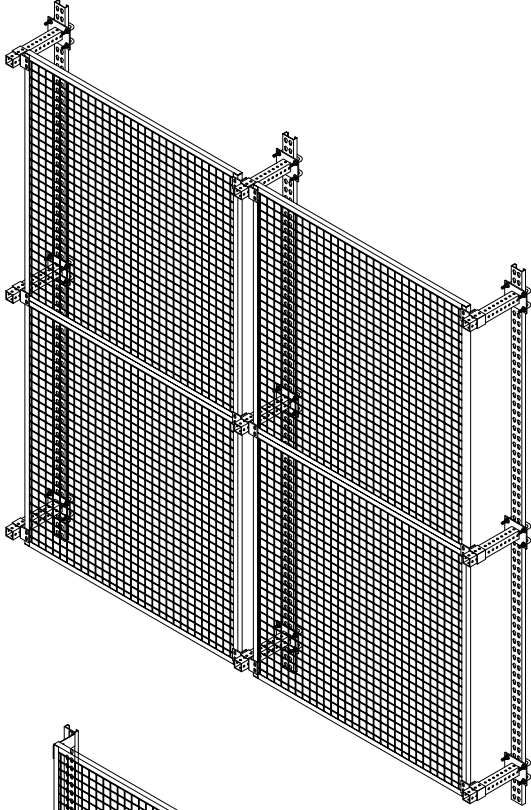


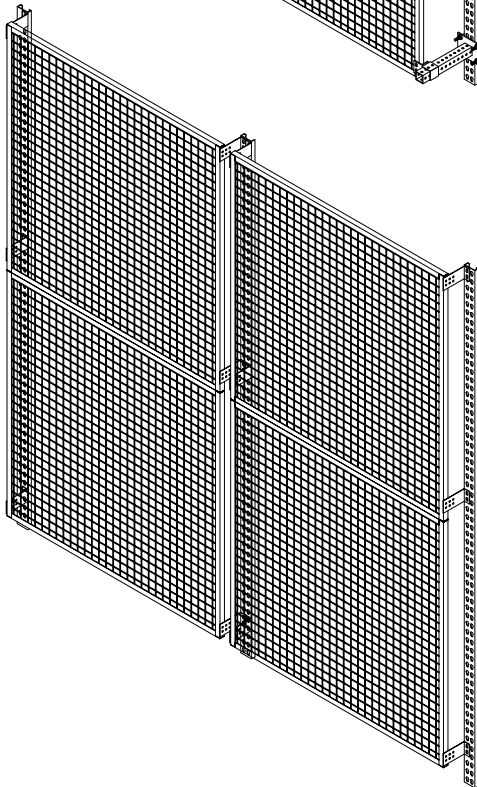
BEAST WIRE

MESH GUARDING

MANUFACTURED BY SPACEGUARD PRODUCTS



ADJUSTABLE
BRACKET



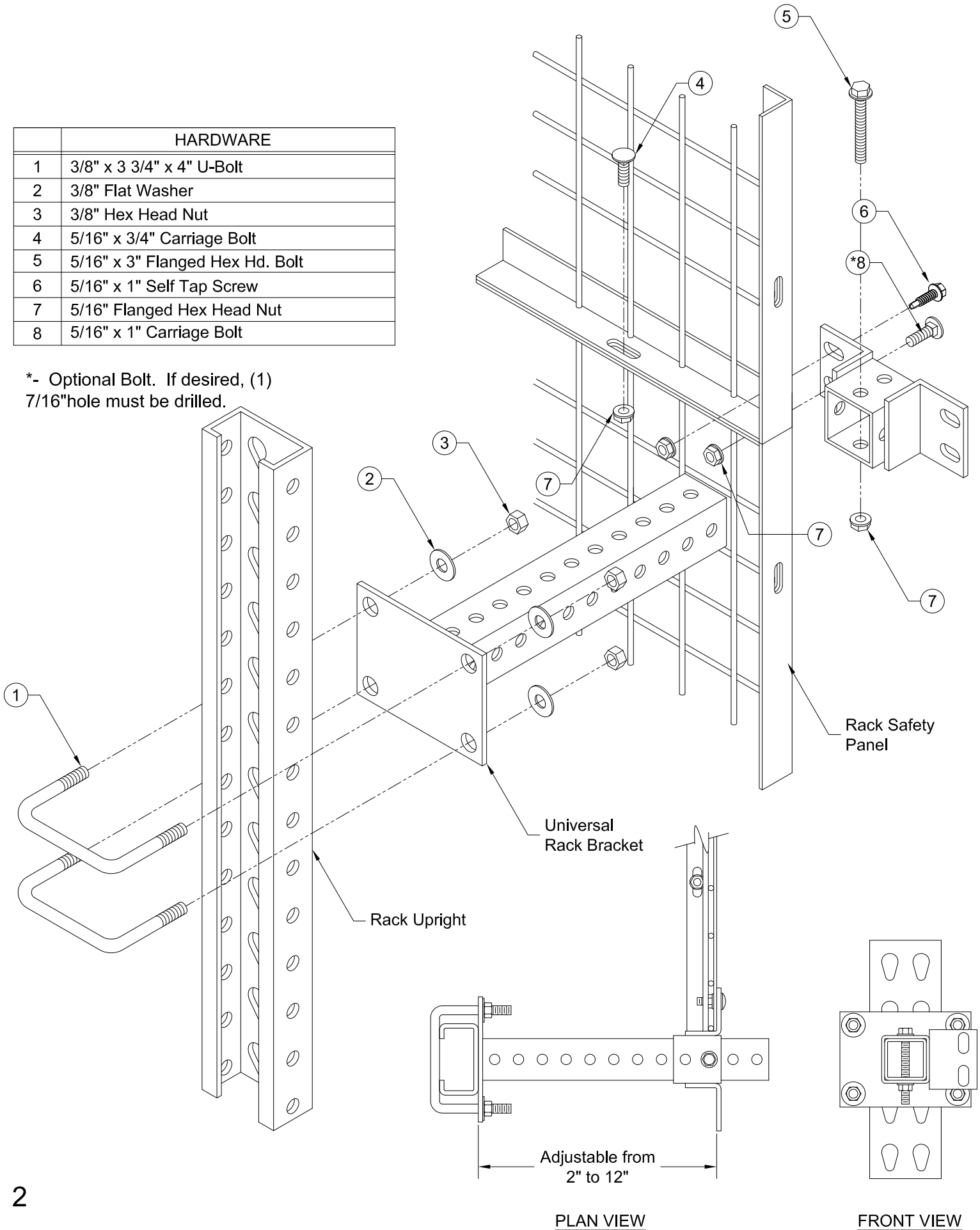
RACK SAFETY
INSTALLATION DETAILS

FIXED
BRACKET

Universal Rack Bracket Installation

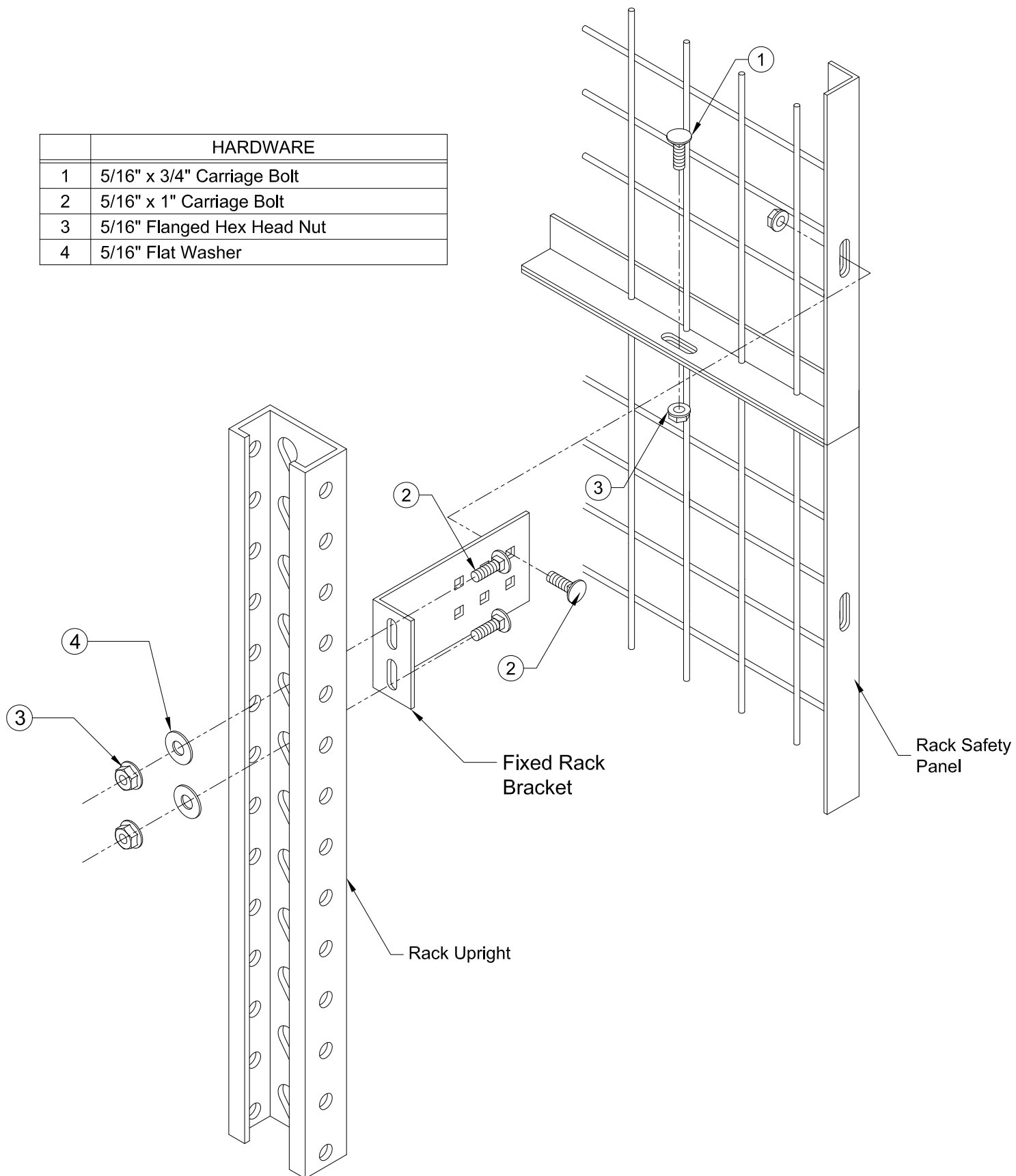
HARDWARE	
1	3/8" x 3 3/4" x 4" U-Bolt
2	3/8" Flat Washer
3	3/8" Hex Head Nut
4	5/16" x 3/4" Carriage Bolt
5	5/16" x 3" Flanged Hex Hd. Bolt
6	5/16" x 1" Self Tap Screw
7	5/16" Flanged Hex Head Nut
8	5/16" x 1" Carriage Bolt

*- Optional Bolt. If desired, (1) 7/16" hole must be drilled.



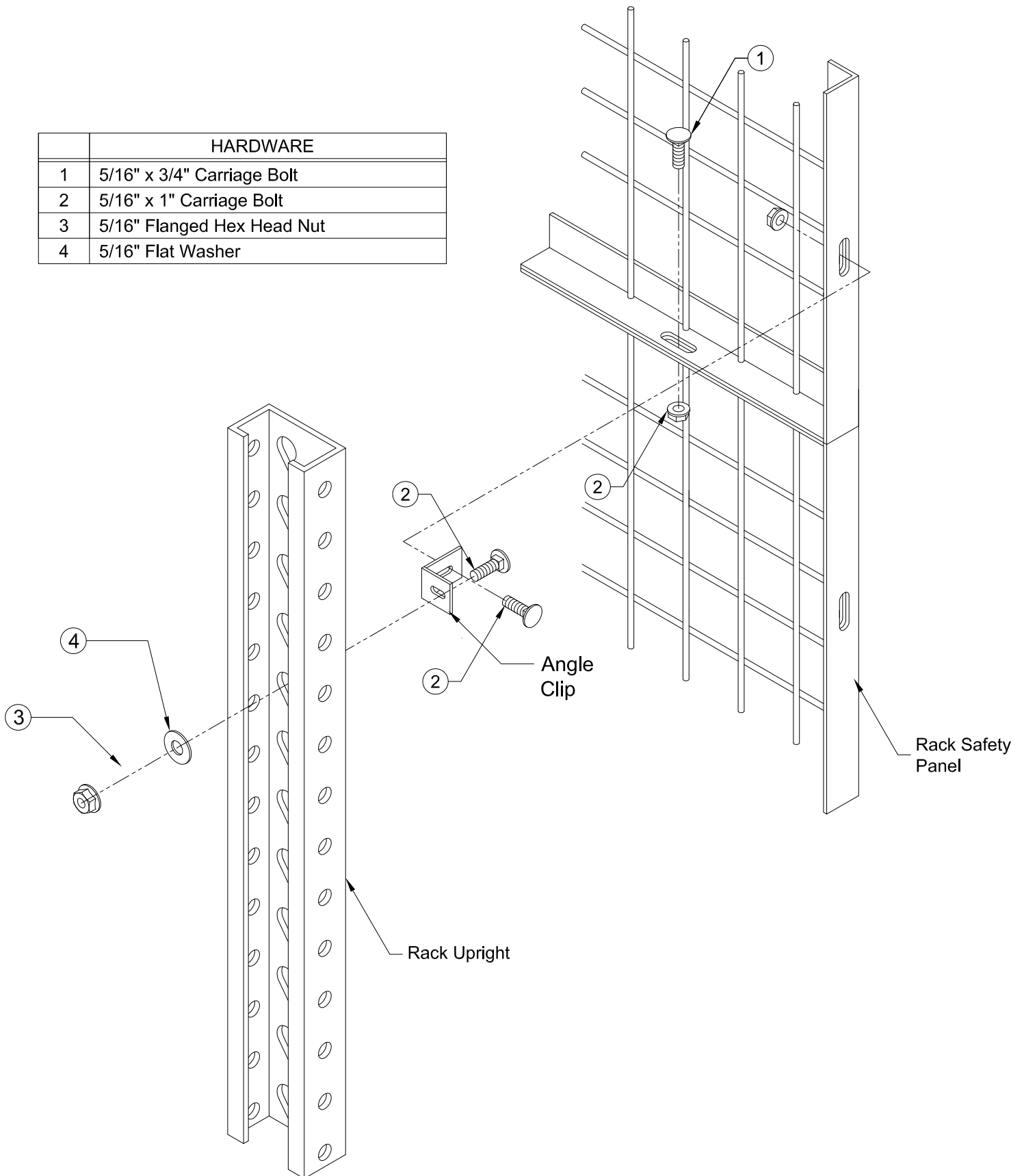
Fixed Rack Bracket Installation

HARDWARE	
1	5/16" x 3/4" Carriage Bolt
2	5/16" x 1" Carriage Bolt
3	5/16" Flanged Hex Head Nut
4	5/16" Flat Washer



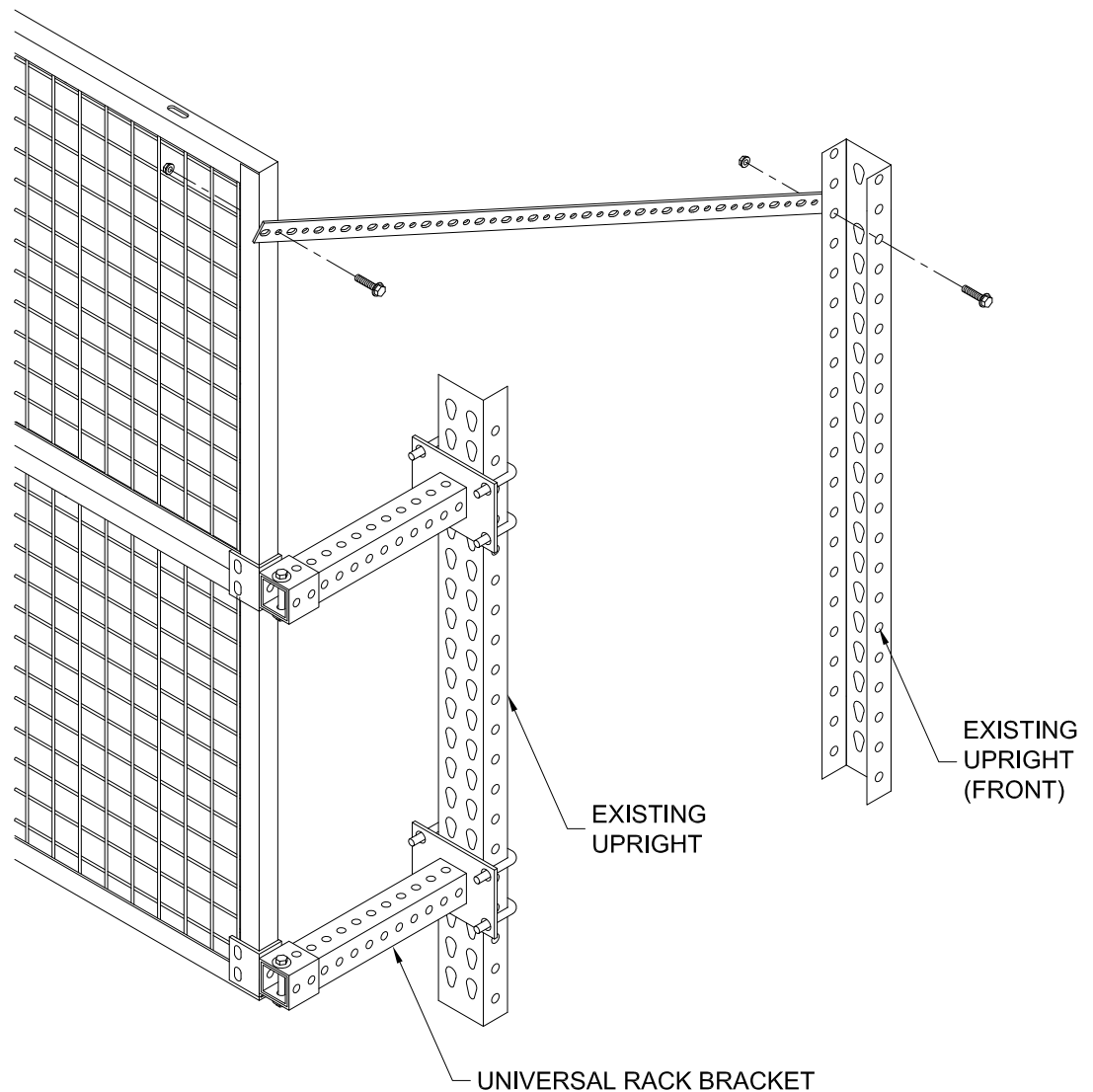
Fixed Rack Bracket Installation (Flush)

HARDWARE	
1	5/16" x 3/4" Carriage Bolt
2	5/16" x 1" Carriage Bolt
3	5/16" Flanged Hex Head Nut
4	5/16" Flat Washer



RACK PANEL EXTENSION KIT

IF PANEL EXTENDS BEYOND HEIGHT OF UPRIGHT, RECOMMEND TO NOTCH PERFORATED ANGLE AND BOLT OR SELF TAP PERFORATED ANGLE TO SIDE OF PANEL AND TO UPRIGHT (DEPENDING ON HEIGHT OF PANEL, FRONT OR BACK UPRIGHT CAN BE USED). CONSULT BUILDING CODE, UPRIGHT MANUFACTURER RECOMMENDATIONS, OR A STRUCTURAL ENGINEER FOR MORE INFORMATION.



RACK PANEL EXTENSION KIT

IF PANEL EXTENDS BEYOND HEIGHT OF UPRIGHT, RECOMMEND TO NOTCH PERFORATED ANGLE AND BOLT OR SELF TAP PERFORATED ANGLE TO SIDE OF PANEL AND TO UPRIGHT (DEPENDING ON HEIGHT OF PANEL, FRONT OR BACK UPRIGHT CAN BE USED). CONSULT BUILDING CODE, UPRIGHT MANUFACTURER RECOMMENDATIONS, OR A STRUCTURAL ENGINEER FOR MORE INFORMATION.

