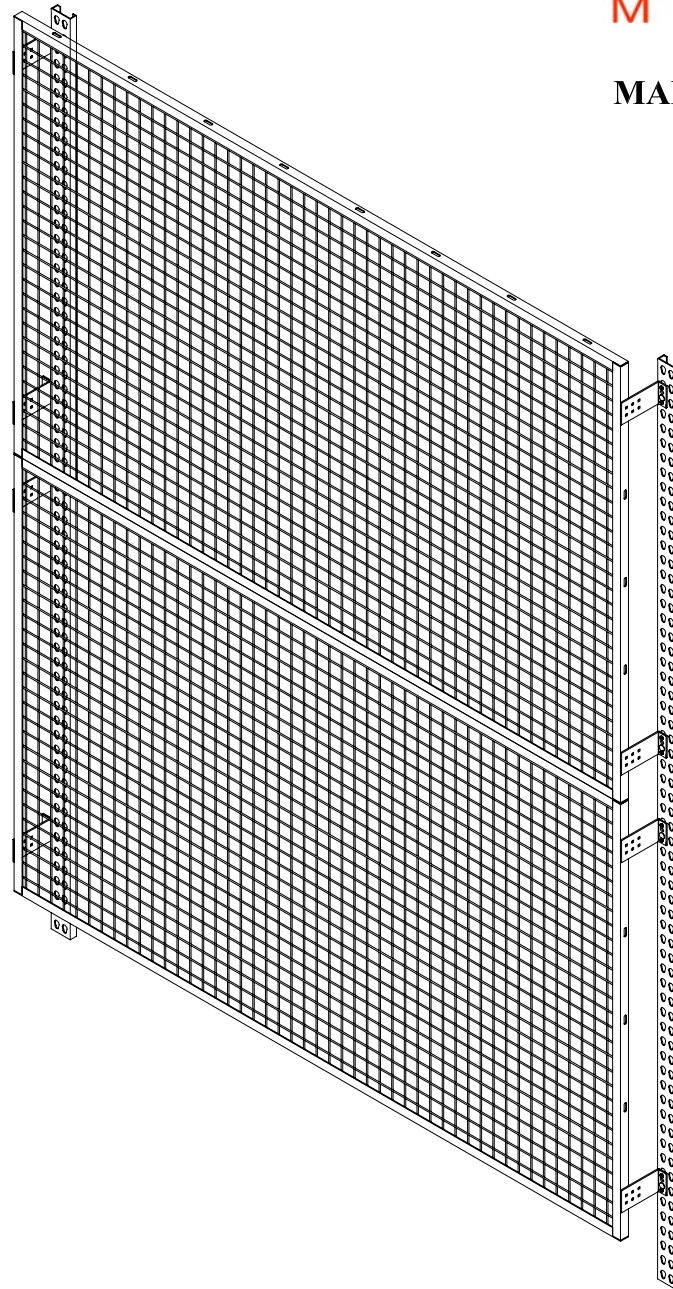


RACK SAFETY W/ DROP-IN BRACKET INSTALLATION GUIDE



MANUFACTURED BY SPACEGUARD PRODUCTS



GETTING STARTED WITH YOUR RACK SAFETY SYSTEM

BEFORE YOU BEGIN INSTALLATION YOU MUST:

- **IDENTIFY** this label... contains packing slip
- **INSPECT** for damages before taking delivery
- **INVENTORY** for shortages
- **CONTACT** manufacturer immediately if damages or shortages are present



RECOMMENDED TOOLS:

- Crowbar, tin snips & utility knife
- Tape measure & Level
- Ladder(s) & extension cords
- Saw w/ blade for cutting metal
- Impact driver w/ SAE deep well sockets
- Rubber mallet

RECOMMENDED MATERIALS (not supplied):

- Washers or other materials suitable for leveling/spacing system

UNLEASHING BEASTWIRE:

BeastWire Mesh Rack System (Patent Pending) is designed to use standard components to make materials more affordable, available, and easier to install. There is no mystery in installing this rack system.

HELPFUL HINTS:

- **AVOID** storing materials outside or exposed to moisture
- **REMEASURE** the space before building rack system
- **PLAN:**
 - Placement of brackets to avoid beams.
 - Hole Alignments. If bracket is placed on upright first, panel may not hang at desired height.
 - Select appropriate offset hole for your application
- **TOUCH UP** using factory supplied paint; follow directions on can
- **ADMIRE** your work and the fact you purchased a quality product

BeastWire Rack Safety

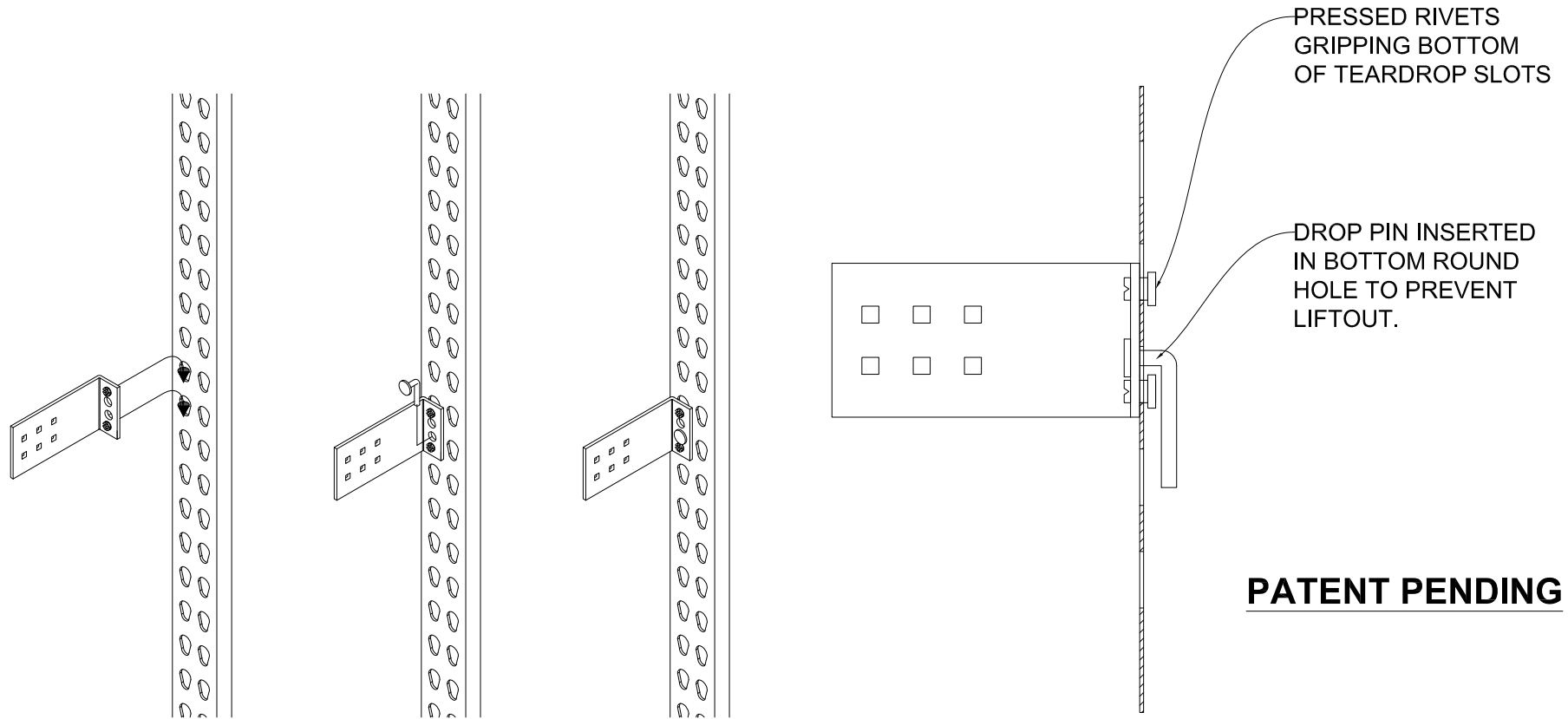
Manufactured by SpaceGuard Products
Call (800) 841-0680, Mon-Fri 8am-5pm ET

www.BeastWireMesh.com

Page 2

Standard Installation Details
Updated 2/17/2017

DROP-IN RACK BRACKET



BeastWire Rack Safety

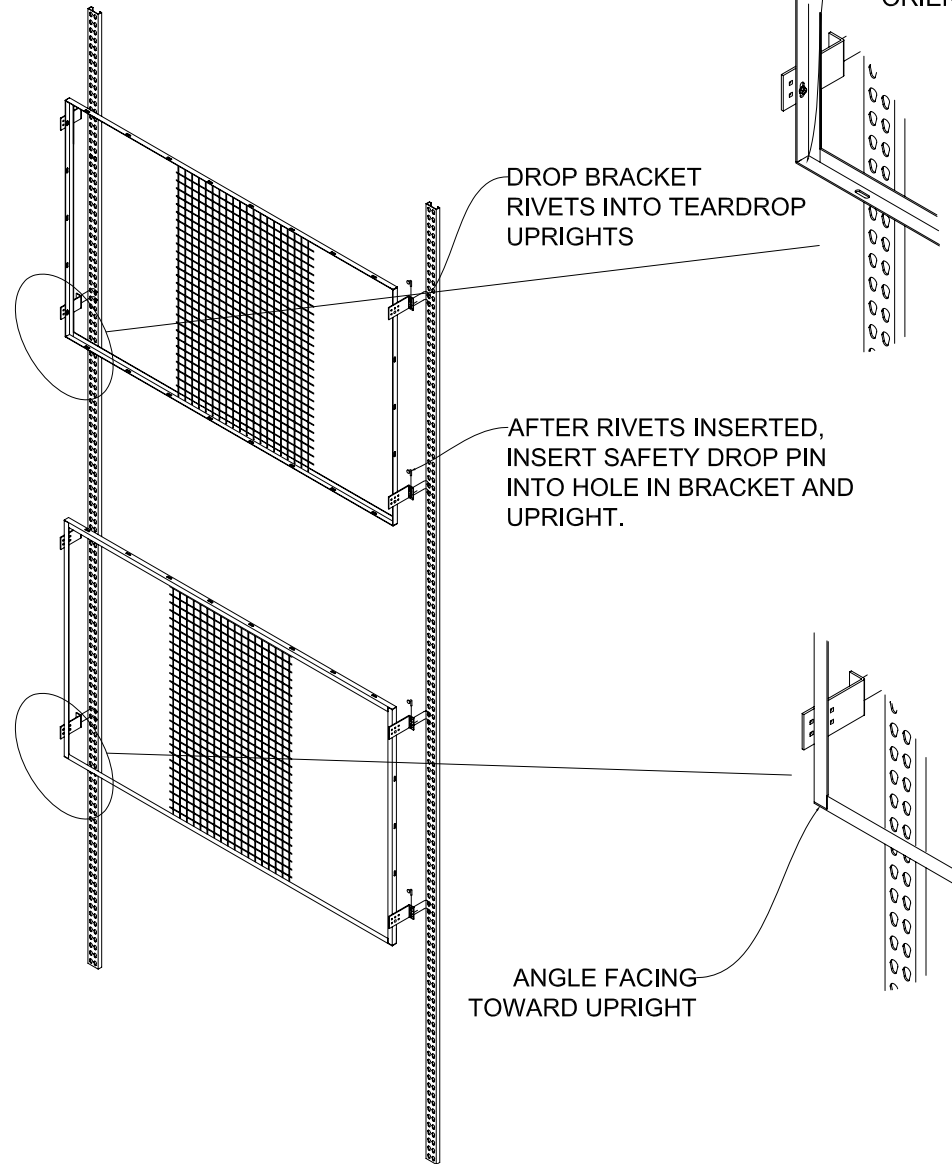
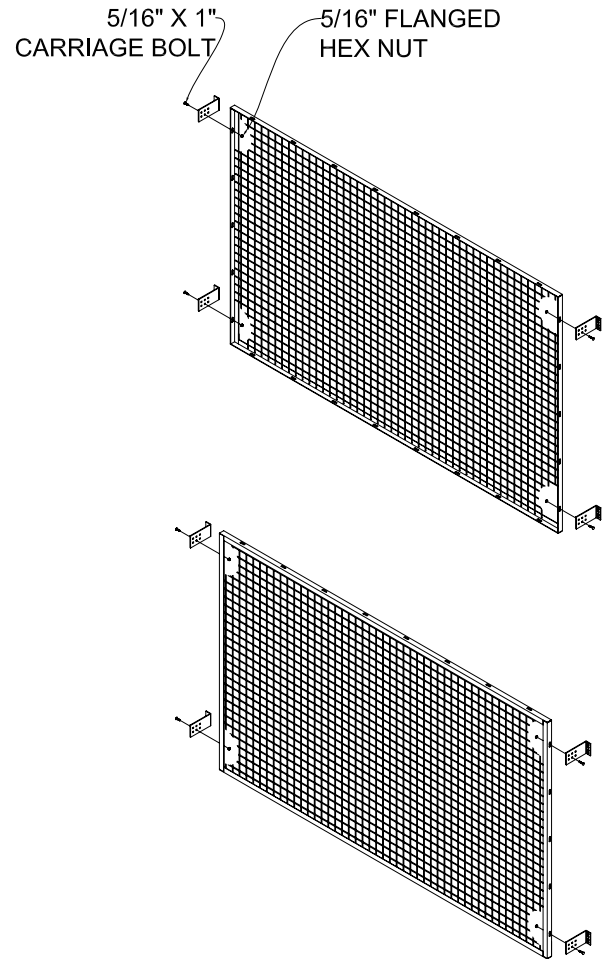
Manufactured by SpaceGuard Products
Call (800) 841-0680, Mon-Fri 8am-5pm ET

www.BeastWireMesh.com

Page 3

Standard Installation Details
Updated 2/17/2017

OPTION 1 CONNECTION DETAILS (BRACKET-PANEL, THEN TO UPRIGHT)

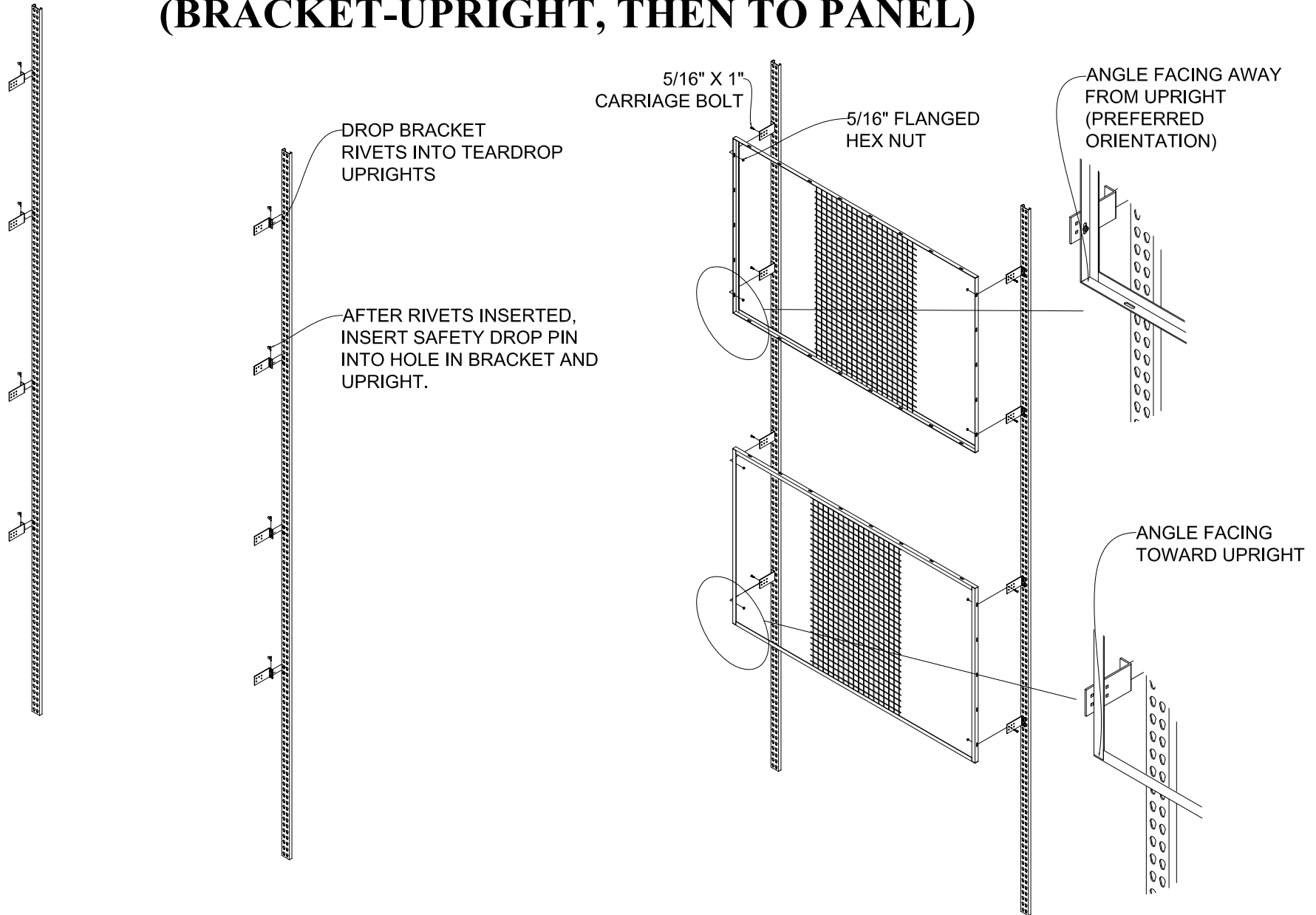


BeastWire Rack Safety

Manufactured by SpaceGuard Products
Call (800) 841-0680, Mon-Fri 8am-5pm ET

www.BeastWireMesh.com

OPTION 2 CONNECTION DETAILS (BRACKET-UPRIGHT, THEN TO PANEL)

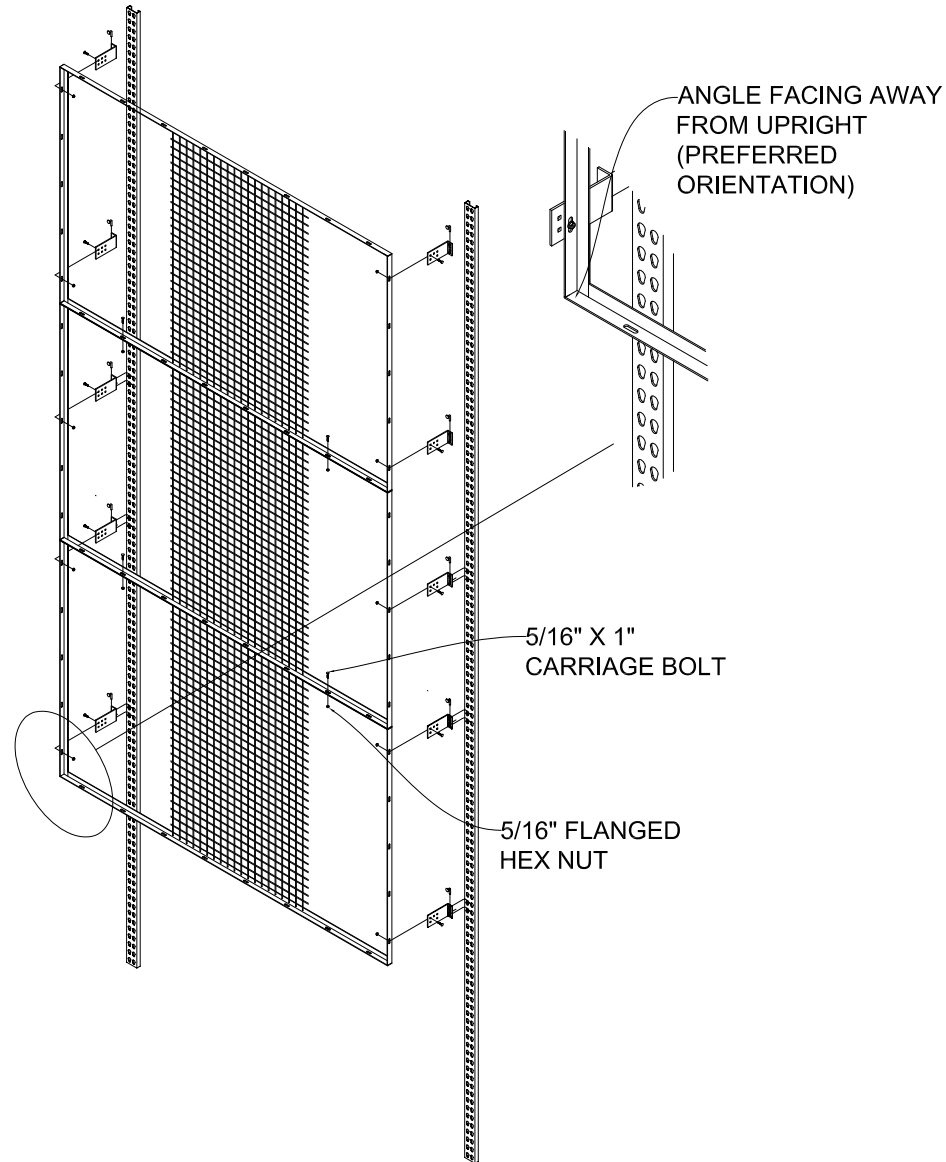


BeastWire Rack Safety

Manufactured by SpaceGuard Products
Call (800) 841-0680, Mon-Fri 8am-5pm ET

www.BeastWireMesh.com

STACKED PANEL CONNECTIONS

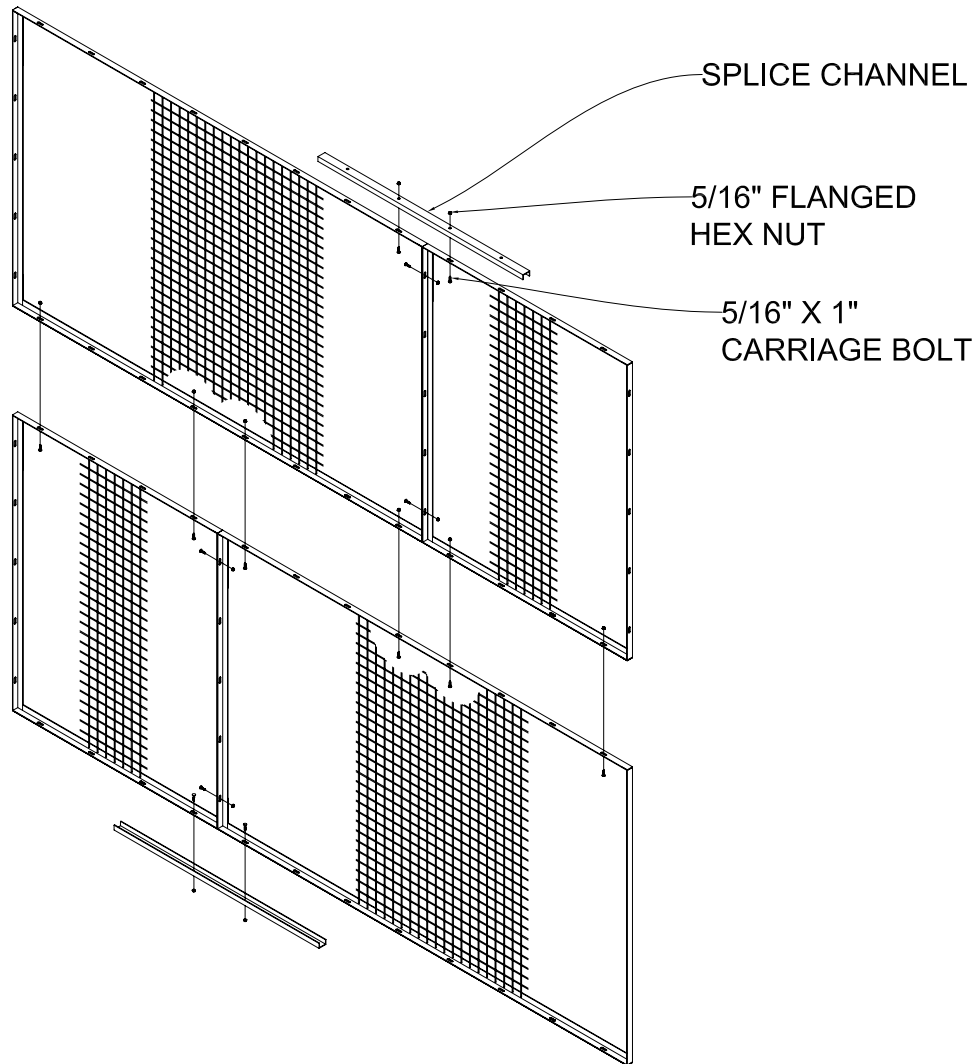


BeastWire Rack Safety

Manufactured by SpaceGuard Products
Call (800) 841-0680, Mon-Fri 8am-5pm ET

www.BeastWireMesh.com

RACK SPLICING (FOR BAYS >10')



BeastWire Rack Safety

Manufactured by SpaceGuard Products
Call (800) 841-0680, Mon-Fri 8am-5pm ET

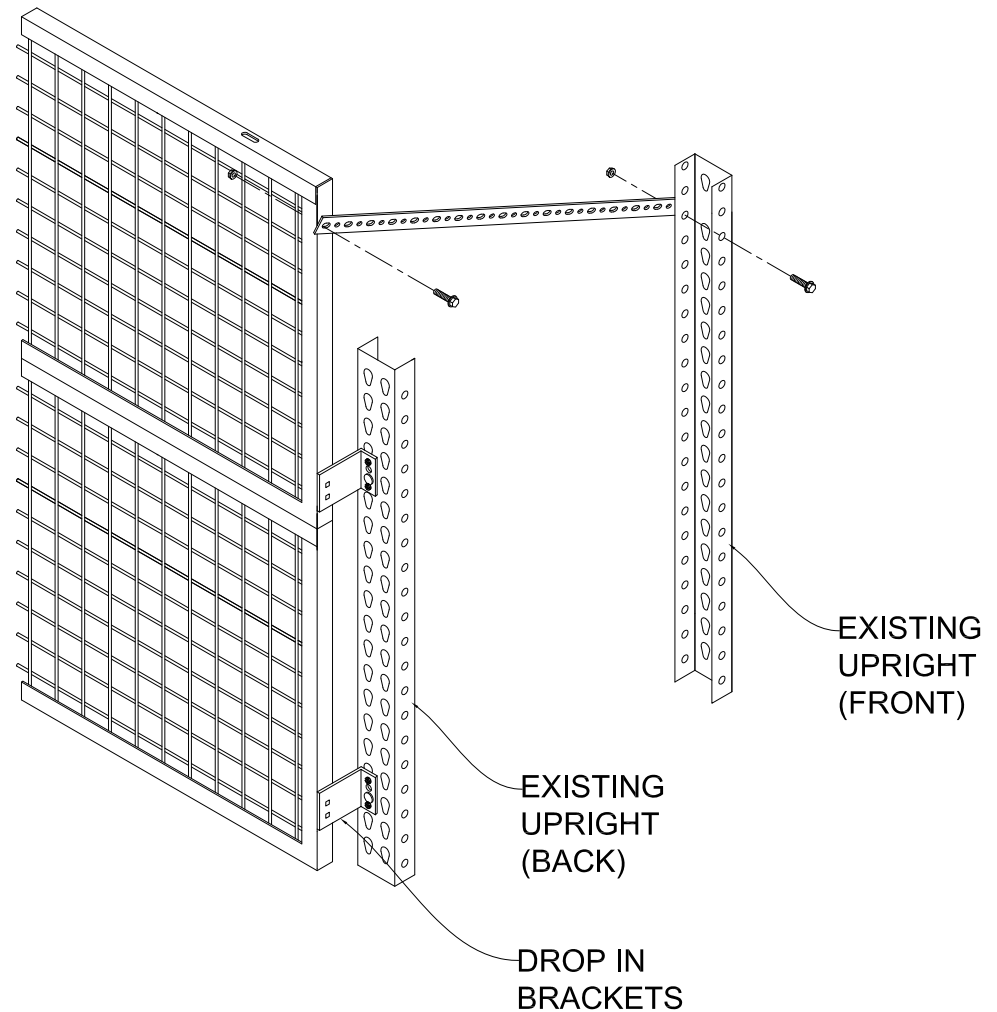
www.BeastWireMesh.com

Page 7

Standard Installation Details
Updated 2/17/2017

RACK PANEL EXTENSION KIT

IF PANEL EXTENDS BEYOND HEIGHT OF UPRIGHT, RECOMMEND TO NOTCH PERFORATED ANGLE AND BOLT OR SELF TAP PERFORATED ANGLE TO SIDE OF PANEL AND TO UPRIGHT (DEPENDING ON HEIGHT OF PANEL, FRONT OR BACK UPRIGHT CAN BE USED). CONSULT BUILDING CODE, UPRIGHT MANUFACTURER RECOMMENDATIONS, OR A STRUCTURAL ENGINEER FOR MORE INFORMATION.



BeastWire Rack Safety

Manufactured by SpaceGuard Products
Call (800) 841-0680, Mon-Fri 8am-5pm ET

www.BeastWireMesh.com

Page 8

Standard Installation Details
Updated 2/17/2017