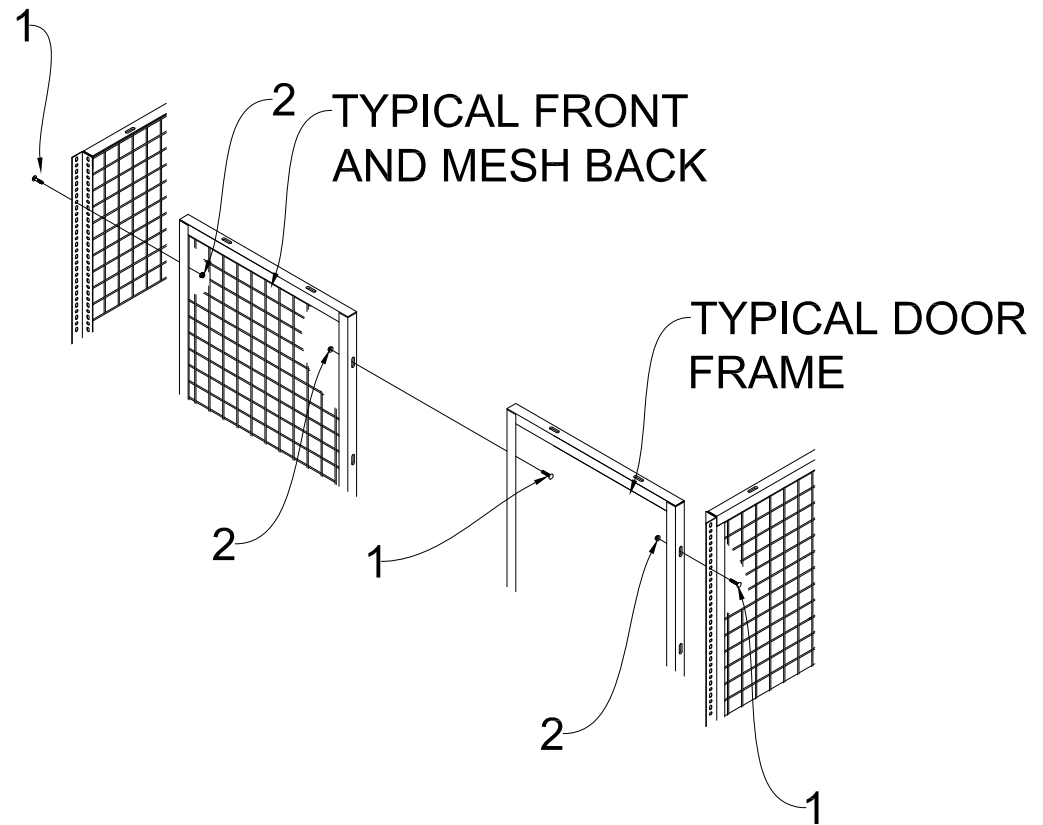
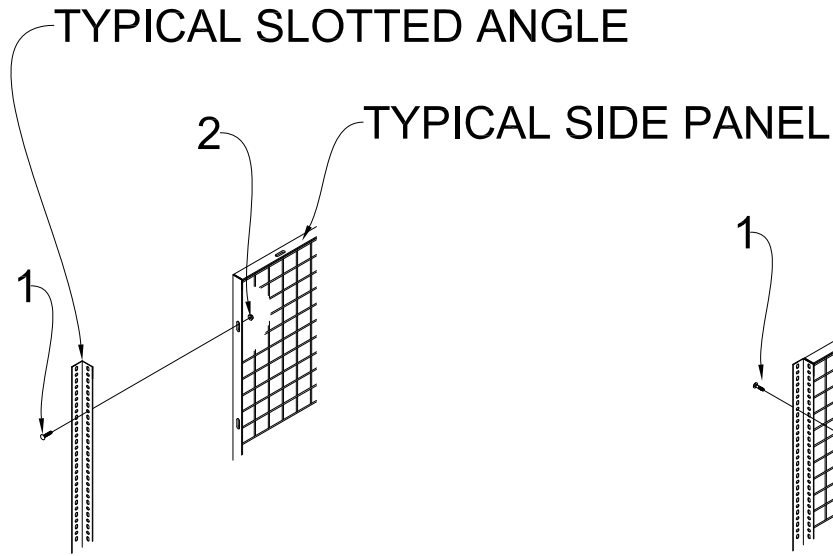


# READINESS LOCKER TYPICAL CONNECTIONS



MANUFACTURED BY SPACEGUARD PRODUCTS

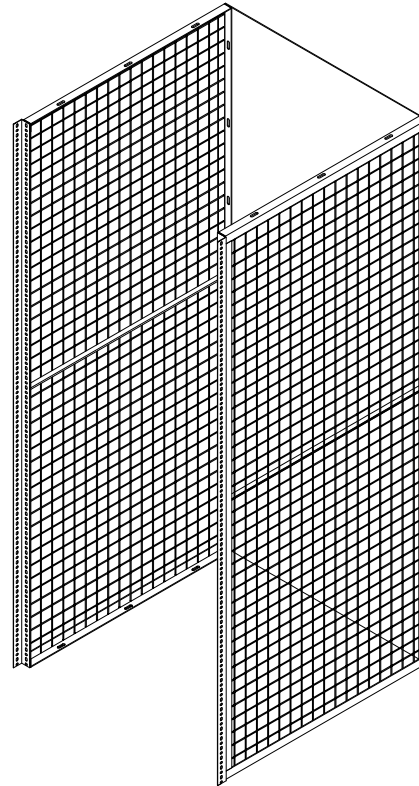
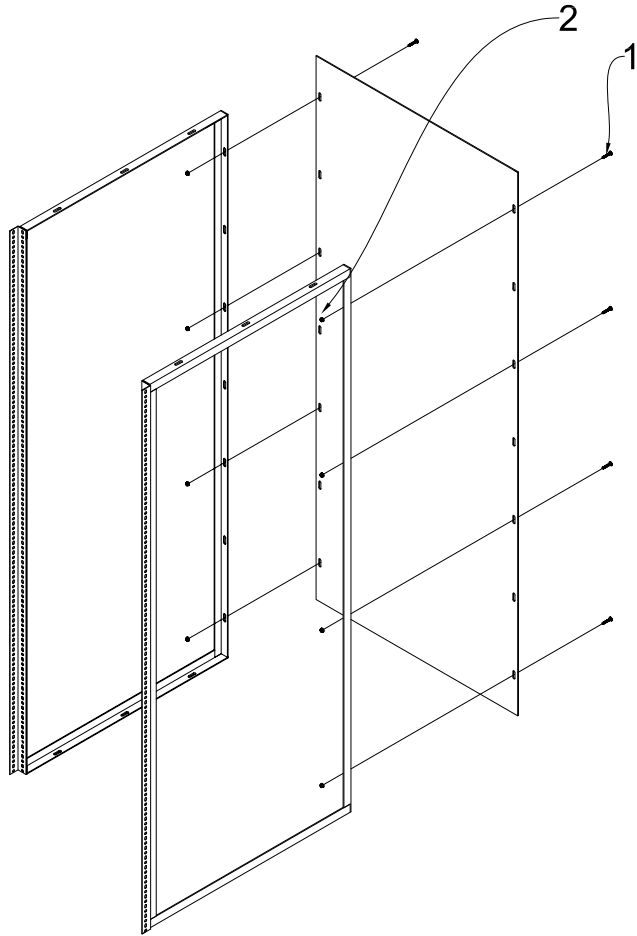


HARDWARE	
1	5/16" X 1" CARRIAGE BOLT
2	5/16" FLANGE NUT

1) ASSEMBLE SIDES AND FRONTS AS SHOWN ABOVE. ONLY 3-4 BOLTS PER CONNECTION REQUIRED.

# SINGLE BACKS (GALVANIZED SHEET METAL) \*OPTIONAL\*

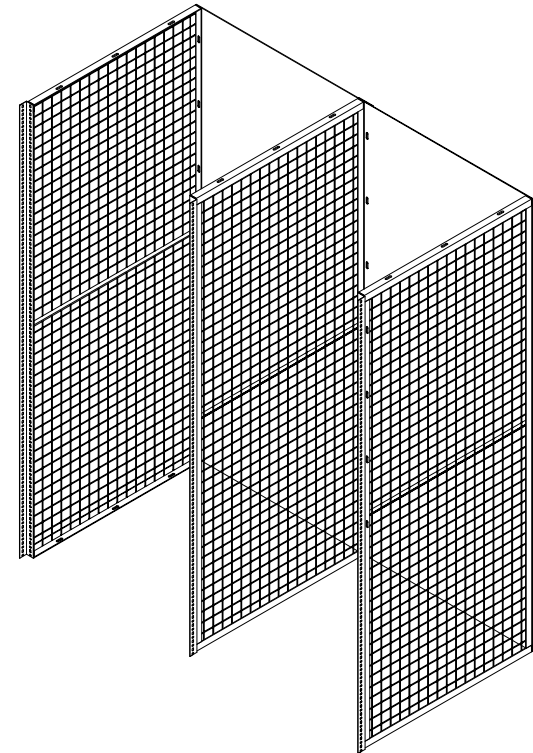
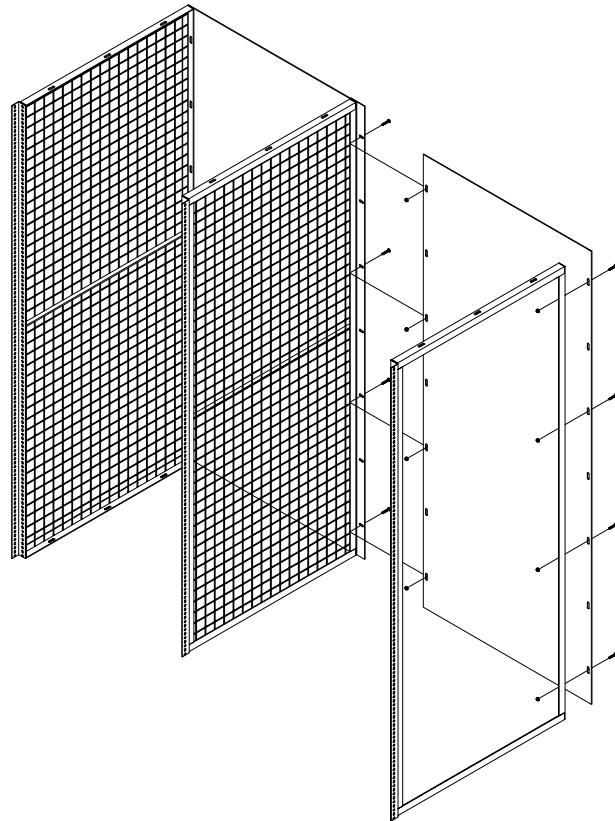
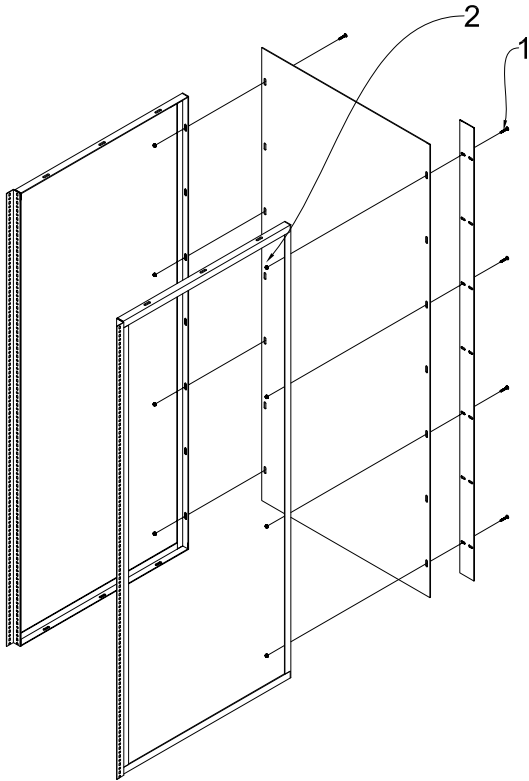
1. Bolt each side of galvanized back to appropriate side of locker using 1 & 2.



	HARDWARE
1	5/16" X 1" CARRIAGE BOLT
2	5/16" FLANGE NUT

# ADDER BACKS (GALVANIZED SHEET METAL) \*OPTIONAL\*

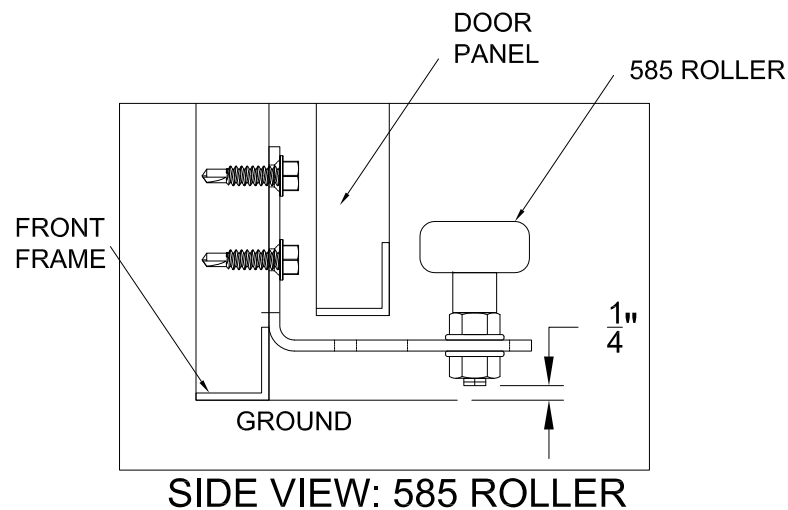
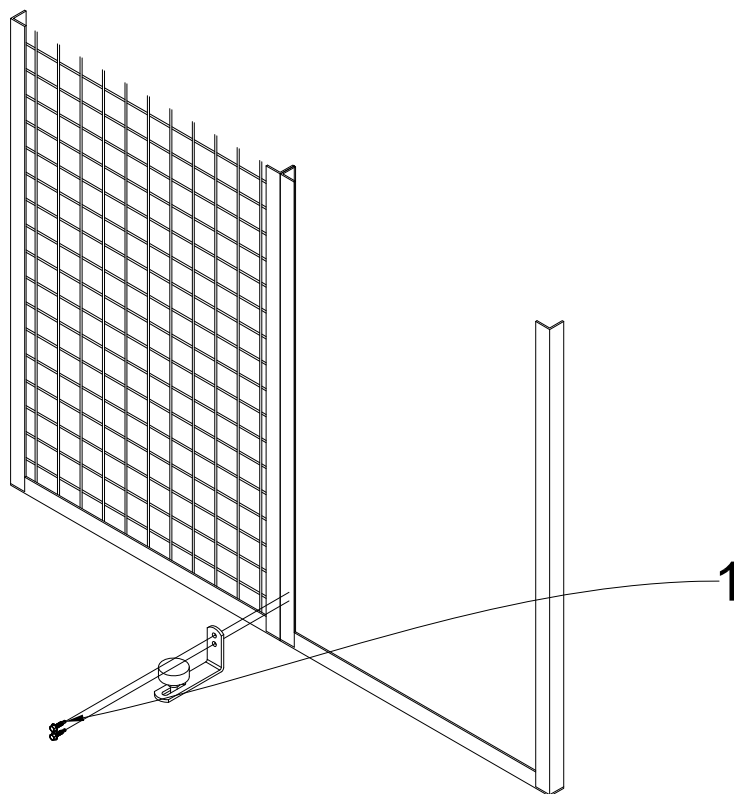
1. Bolt one side of galvanized back to appropriate side of locker using 1 & 2.
2. Bolt Locker splice plate, Back, and opposite panel together using 1 & 2.  
(Splice plates only required on Adder Unit backs.)
3. Repeat Step 2 until last unit is reached. When last unit is reached, repeat step 1 for appropriate side of locker back.



HARDWARE	
1	5/16" X 1" CARRIAGE BOLT
2	5/16" FLANGE NUT

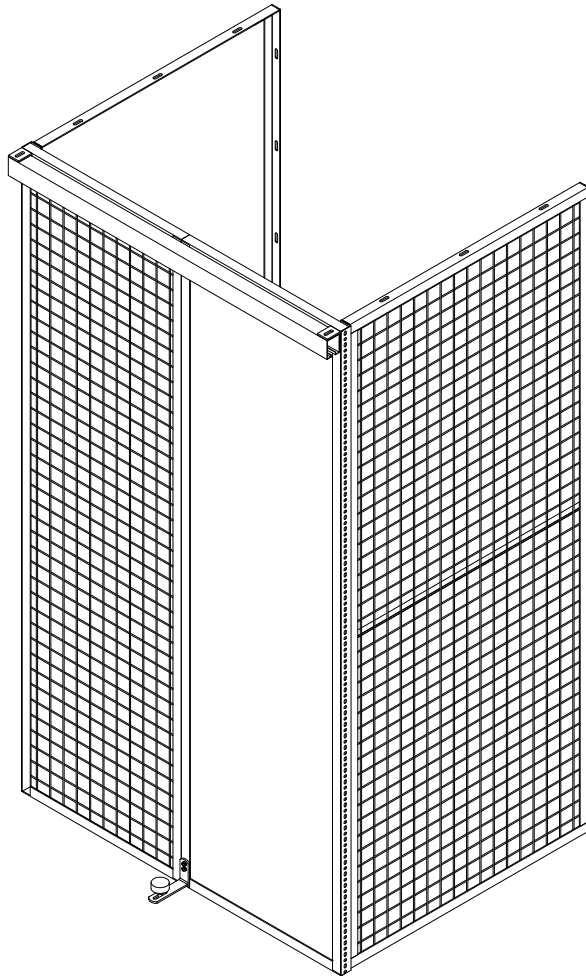
# DOOR CONNECTION

1) ATTACH 585 ROLLER TO CENTER ANGLE LEAVING APPROXIMATELY 1/4" GAP BETWEEN GROUND AND BOTTOM OF THREADED SHAFT.

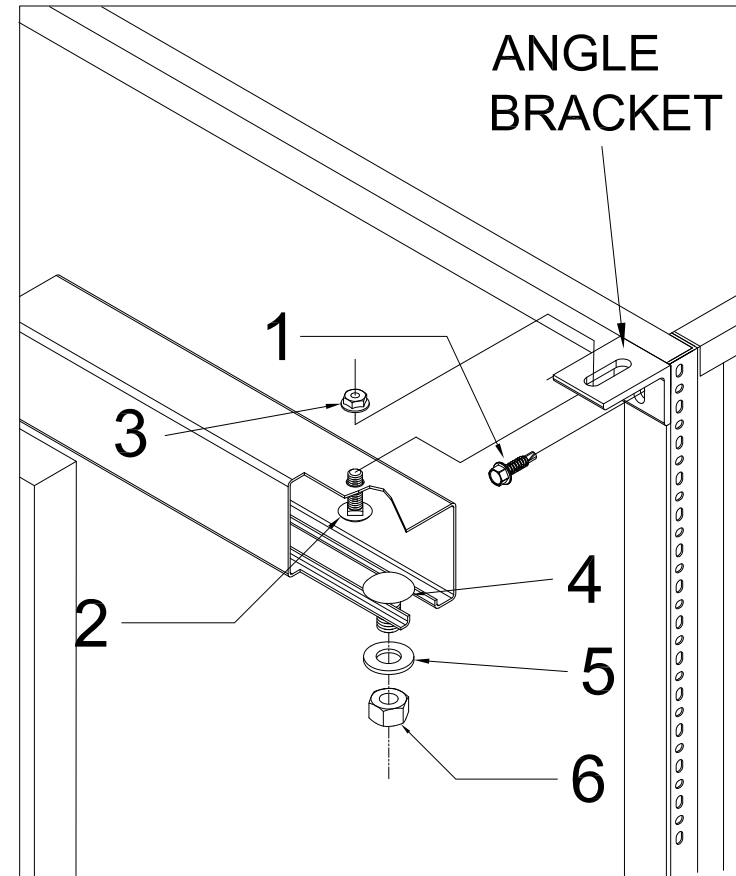


HARDWARE	
1	1/4" X 1" SELF TAP SCREW

# DOOR CONNECTION

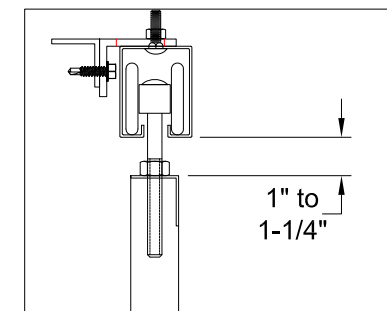


2) MOUNT ANGLE BRACKETS TO TOP LEFT AND TOP RIGHT CORNERS OF FRONT. HANG TRACK AS SHOWN BELOW. INSTALLER WILL HAVE TO EITHER DRILL HOLES IN TRACK (FOR THROUGH BOLTING) OR SELF TAP TRACK TO ANGLE BRACKET. HARDWARE PROVIDED FOR EITHER OPTION.

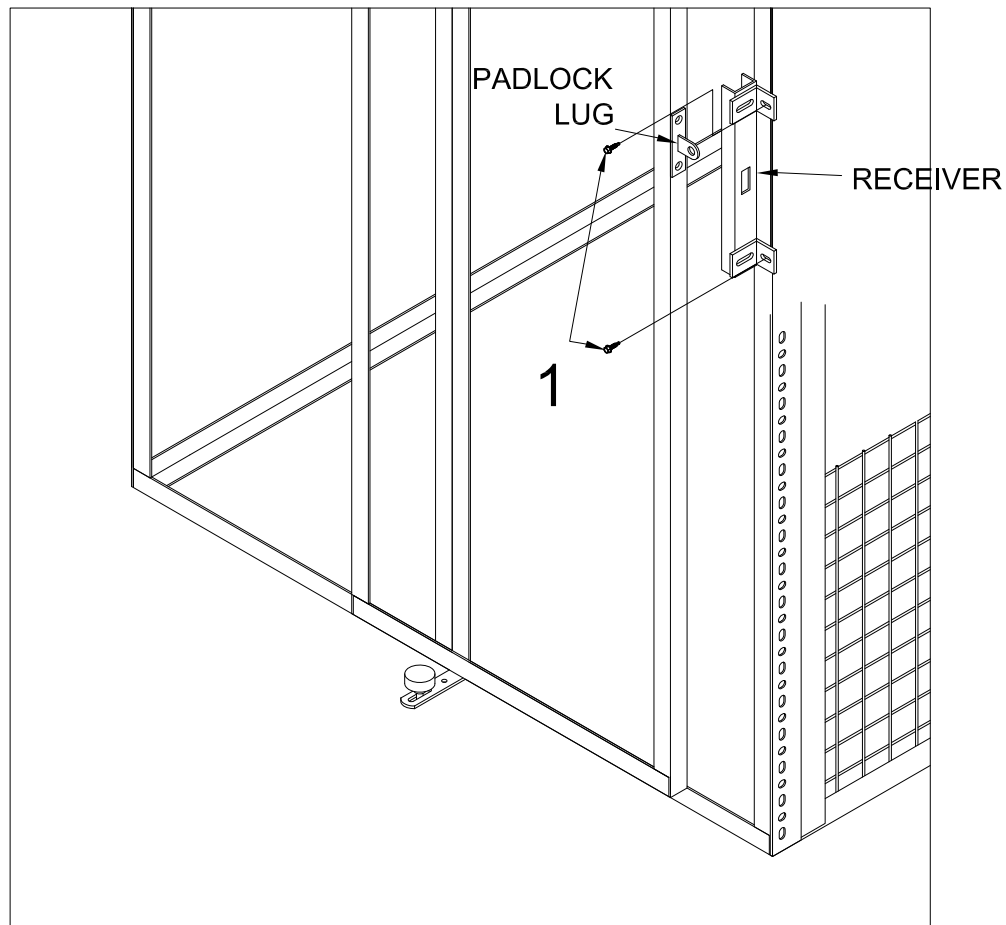


	HARDWARE
1	1/4" X 1" SELF TAP SCREW
2	5/16" X 1" CARRIAGE BOLT
3	5/16" FLANGE NUT
4	1/2" X 1" CARRIAGE BOLT
5	1/2" WASHER
6	1/2" HEX NUT

3) HANG DOOR USING TROLLEYS. USING 3/4" OR ADJ WRENCH, TIGHTEN TROLLEY NUTS TO BRING DOOR PANEL 1" TO 1-1/4" FROM BOTTOM OF TRACK AS SHOWN TO RIGHT (\*TROLLEY THREADS ARE CUT, NUTS DO TIGHTEN USING WRENCHES\*).

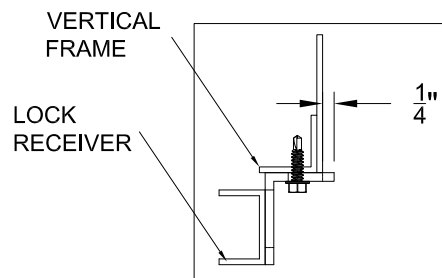


# DOOR CONNECTION

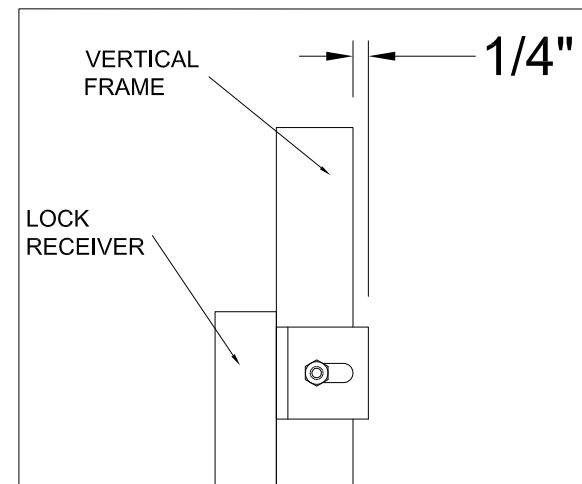


4) LINE UP LOCK RECEIVER WITH DOOR PADLOCK LUG. FOR LOCK RECEIVER INSTALLATION DO NOT SELF TAP TO CENTER OF ANGLE. OFFSET 1/4" TO 5/16" FROM OUTERMOST EDGE OF VERTICAL FRAME ANGLE AS SHOWN BELOW.

HARDWARE	
1	1/4" X 1" SELF TAP SCREW

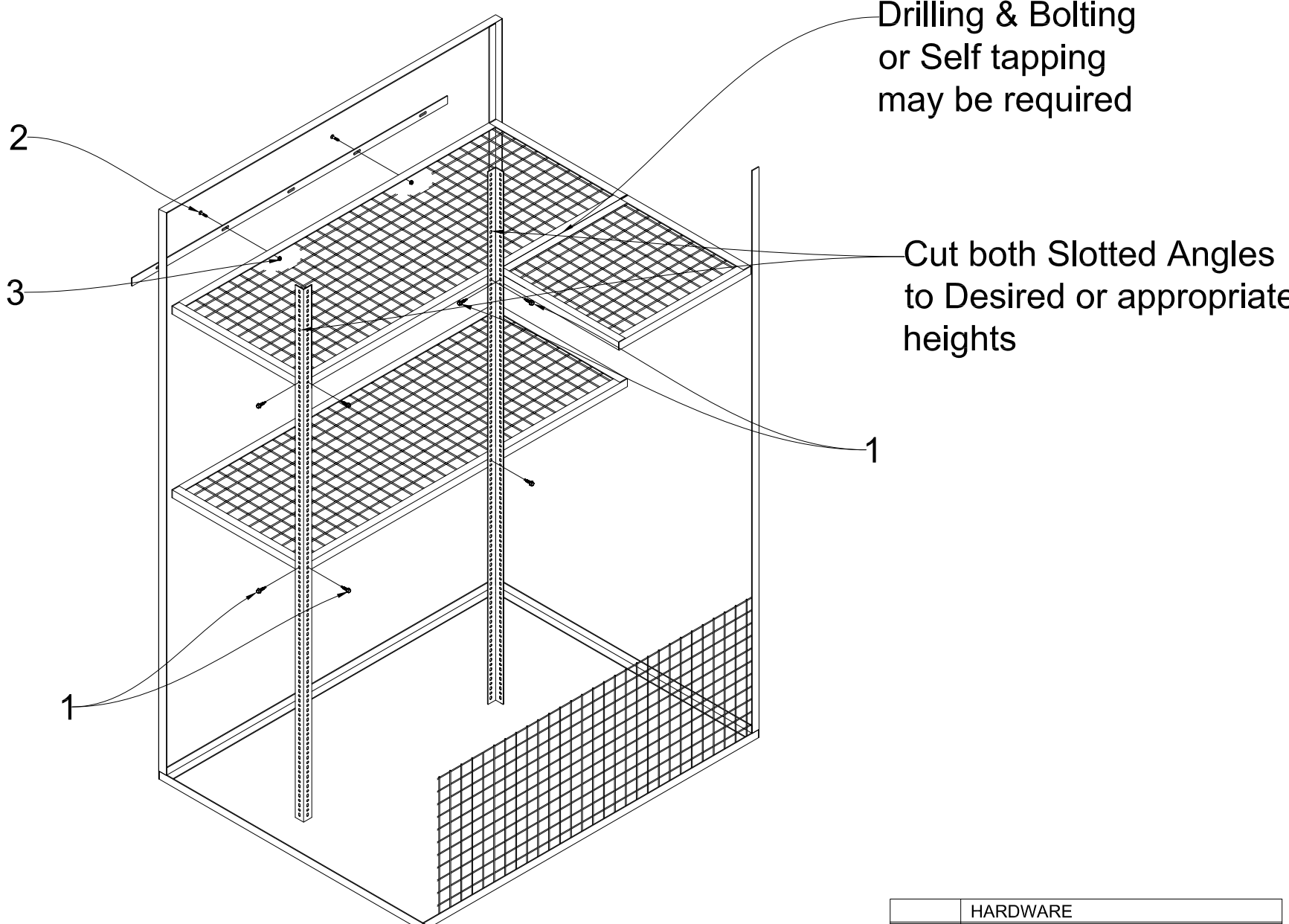


OVERHEAD VIEW: LOCK RECEIVER



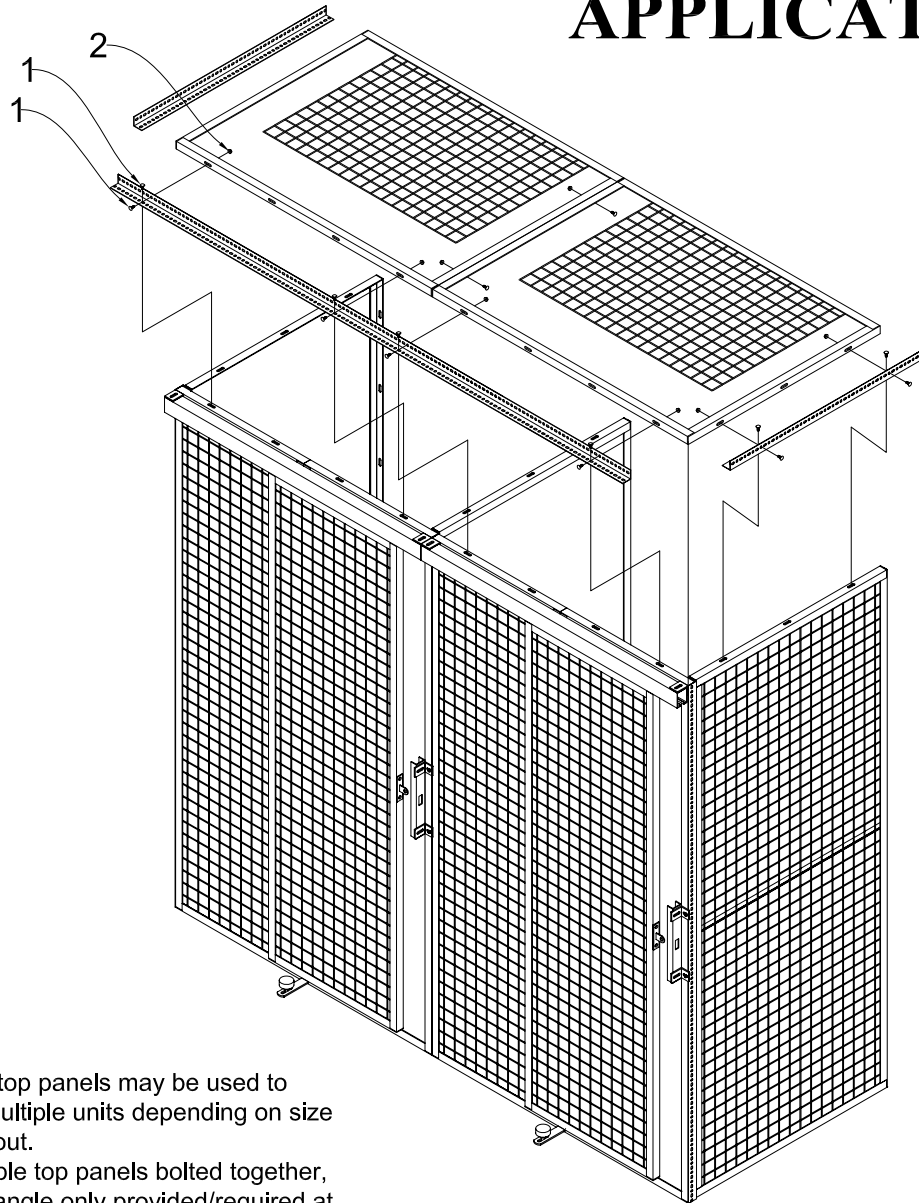
FRONT VIEW: LOCK RECEIVER

# SHELF CONNECTION



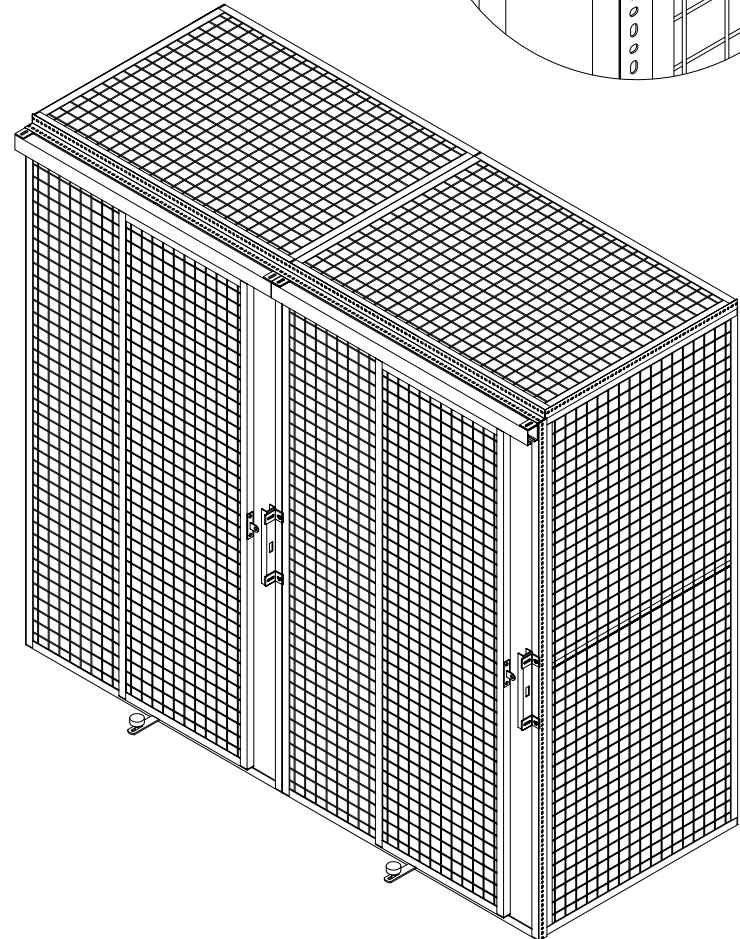
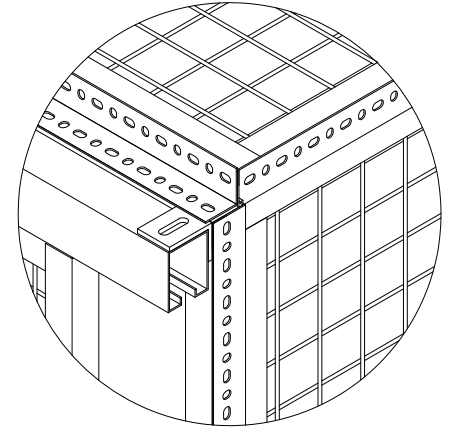
HARDWARE	
1	1/4" X 1" SELF TAP SCREW
2	5/16" X 2" CARRIAGE BOLT
3	5/16" FLANGE NUT

# TYPICAL CEILING APPLICATION



1. Bolt perimeter angle to the complete exterior of locker units (\*\*Note that orientation of perimeter angle on front of locker unit is different.) using 1 & 2.

2. Bolt ceiling panels to perimeter angle using 1 & 2.



**NOTE:**

- Single top panels may be used to cover multiple units depending on size and layout.
- If multiple top panels bolted together, slotted angle only provided/required at end of each run.

HARDWARE	
1	5/16" X 1" CARRIAGE BOLT
2	5/16" FLANGE NUT