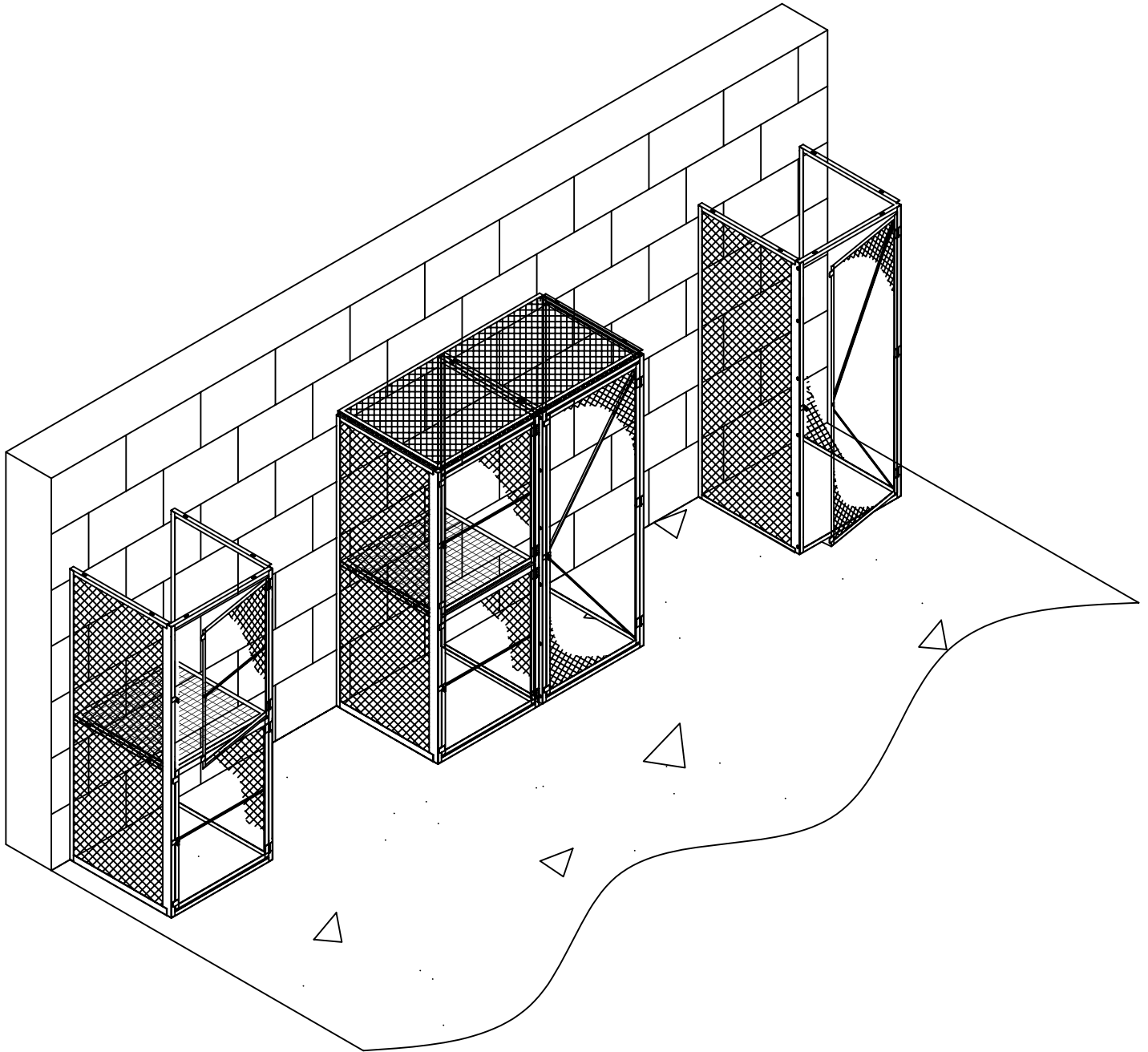


Storage Locker Installation

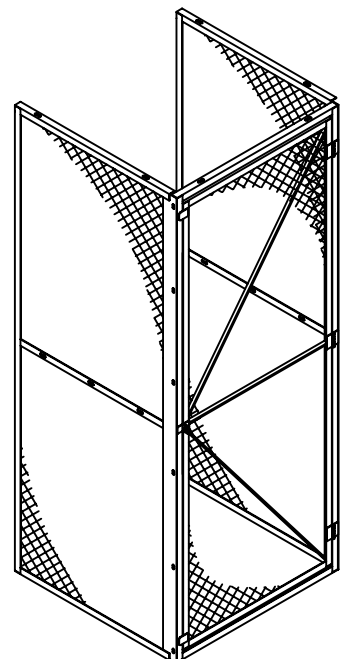
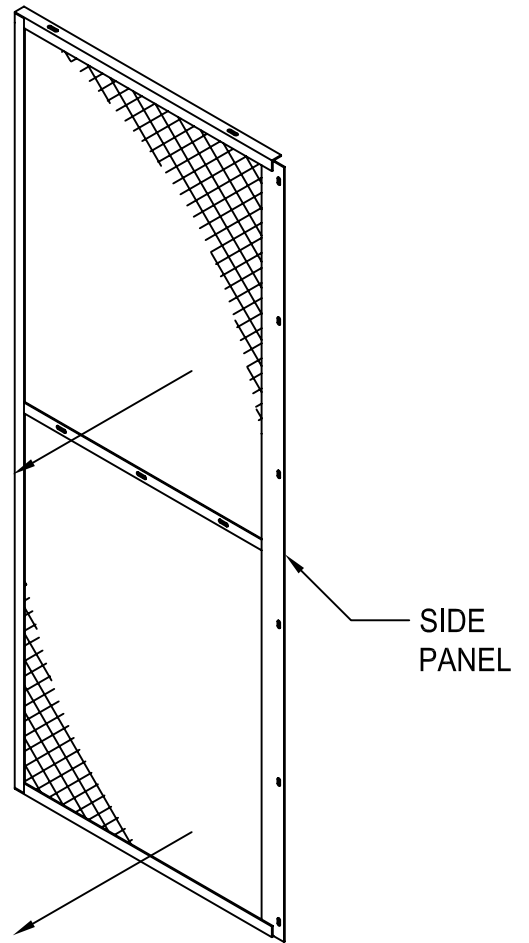
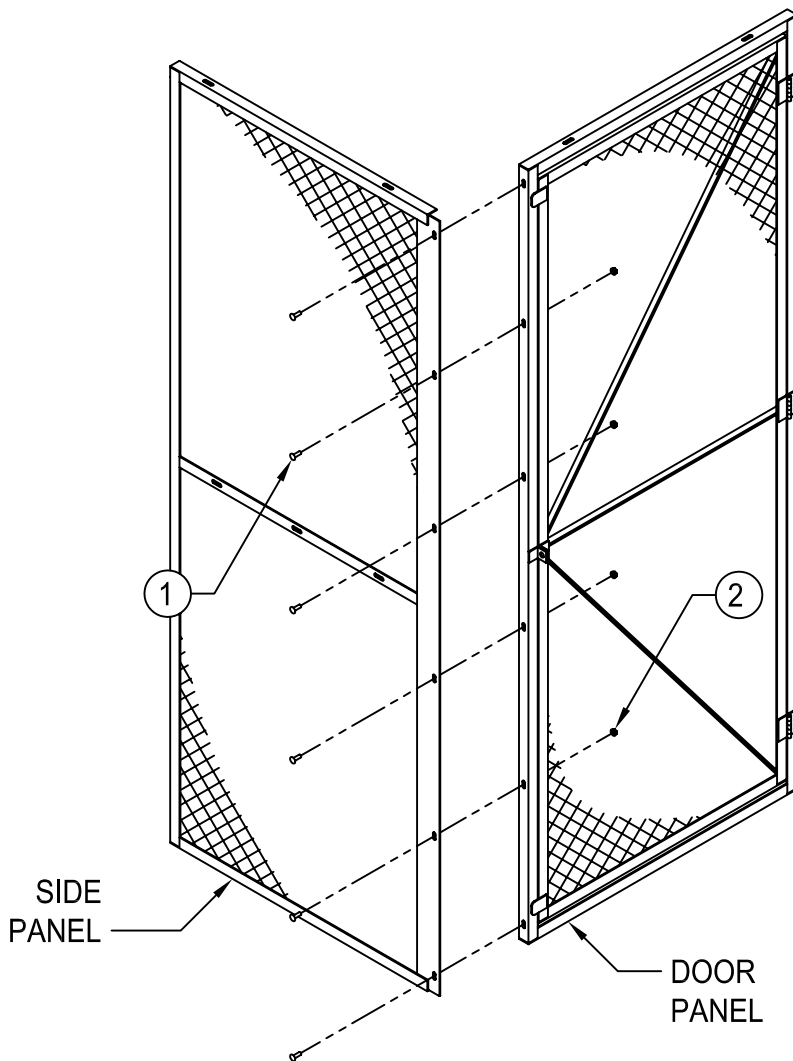
SPACEGUARD
PRODUCTS

TOLL FREE: 800-841-0680
FAX: 800-428-5758



Single Door Lockers

Starter Section

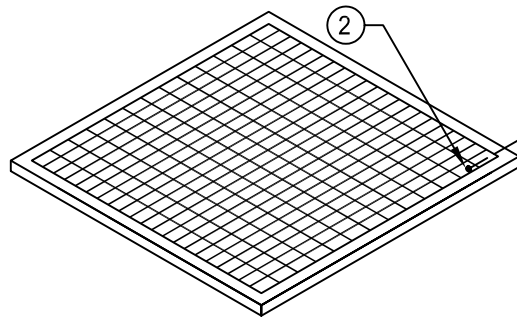


HARDWARE	
1	5/16" x 1" CARRIAGE BOLT
2	5/16" FLANGED HEX HEAD NUT

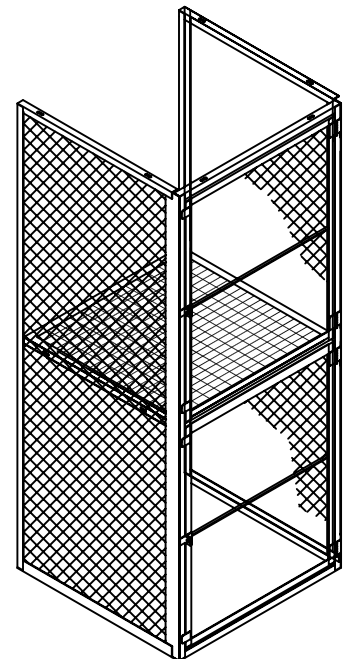
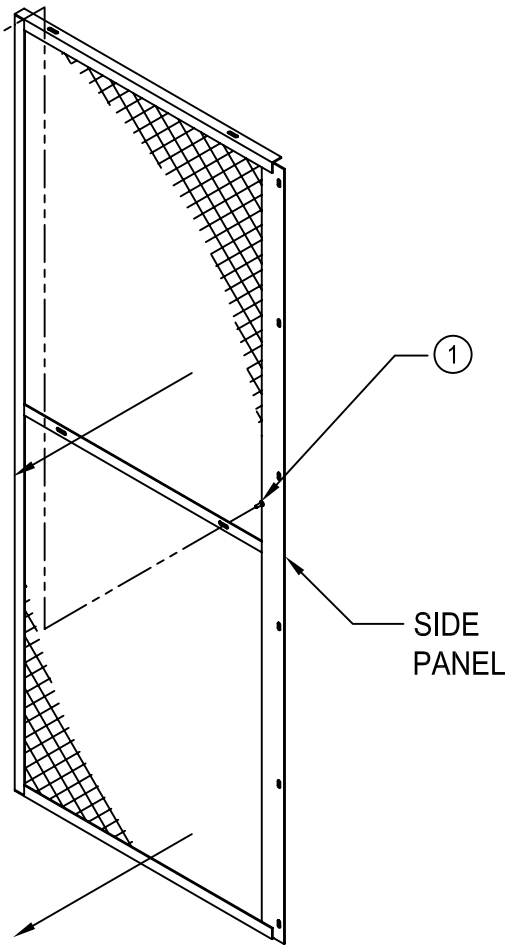
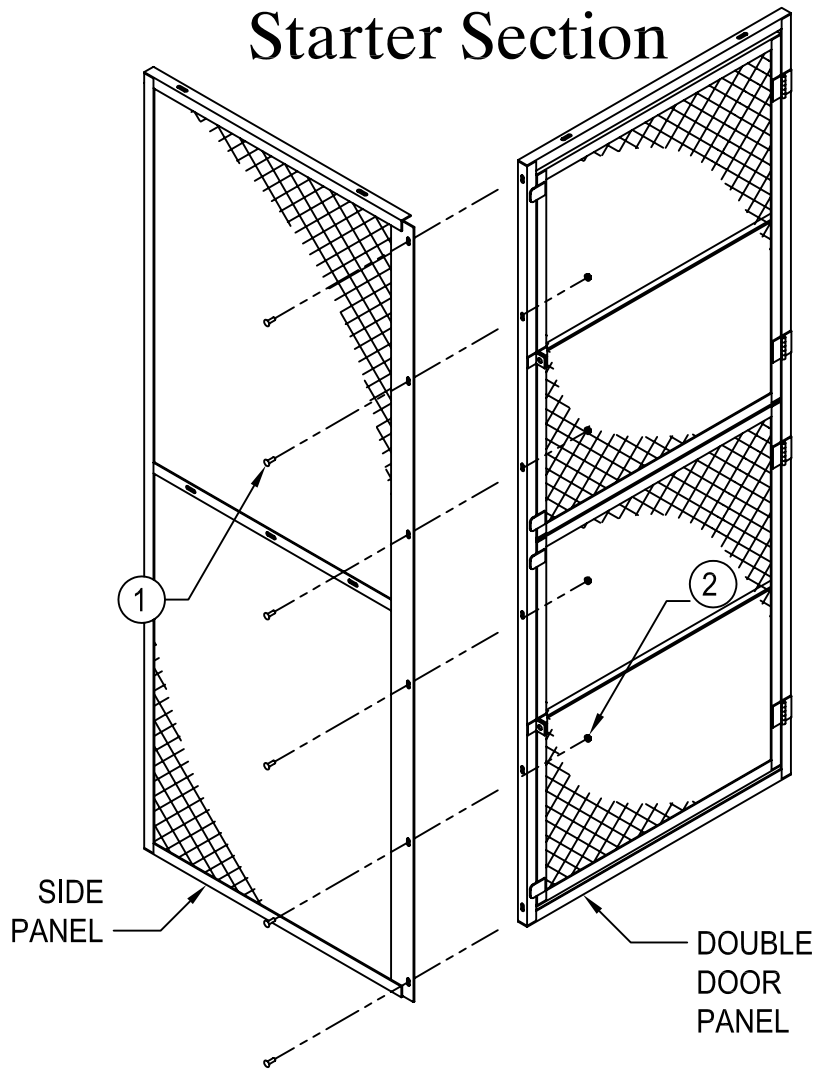
ASSEMBLED LOCKER

Double Door Lockers

LOCKER
SHELVES



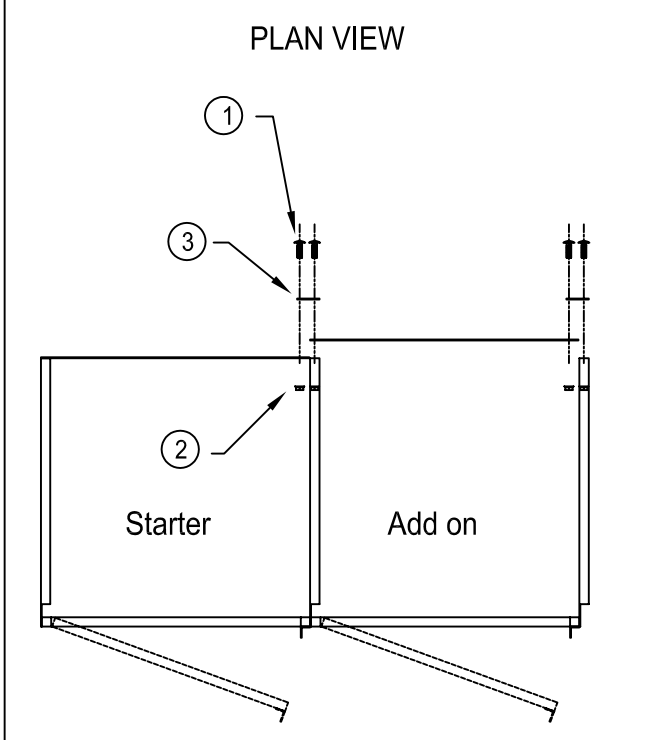
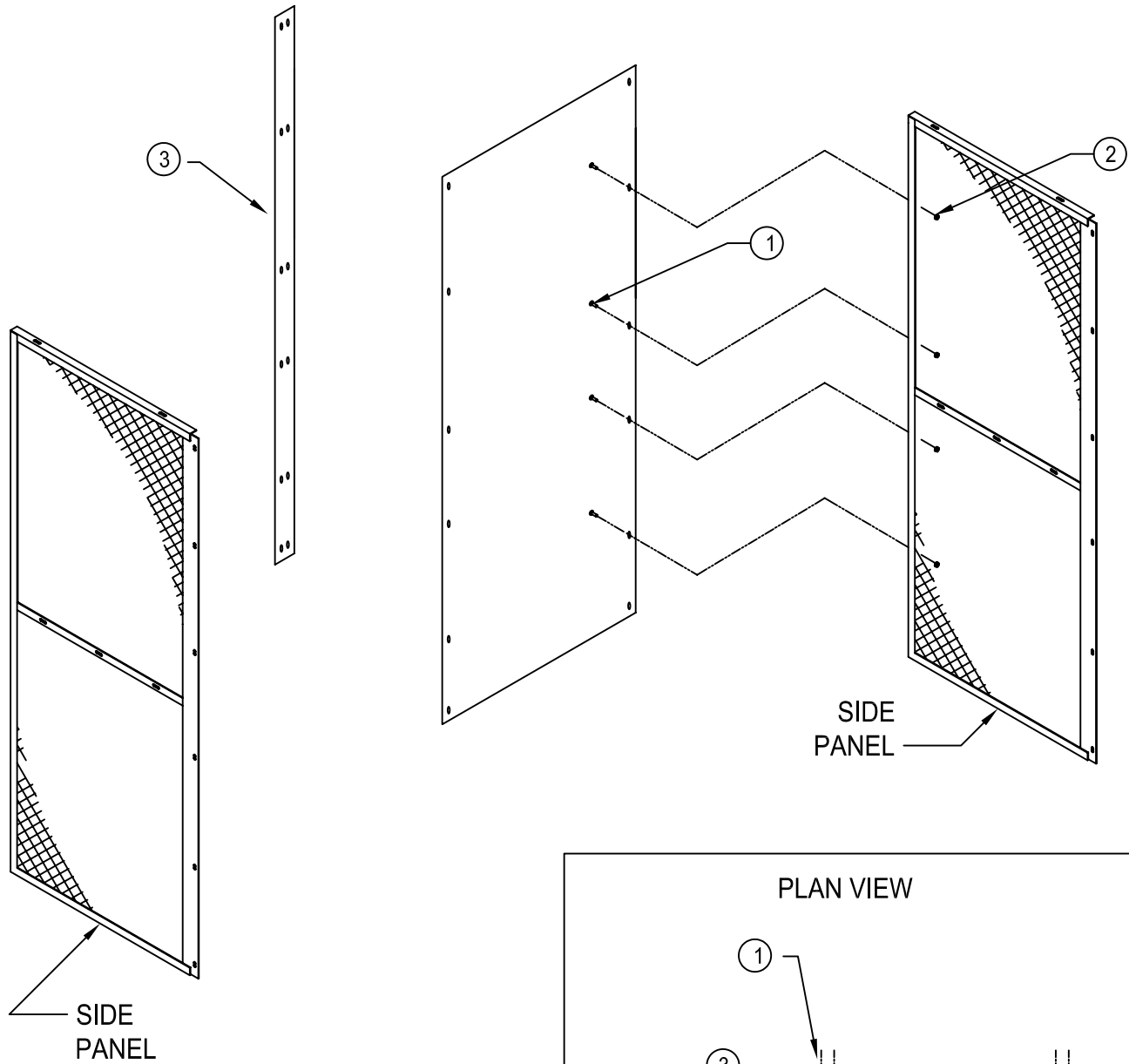
Starter Section



HARDWARE	
1	5/16" x 1" CARRIAGE BOLT
2	5/16" FLANGED HEX HEAD NUT

ASSEMBLED LOCKER

Locker Back Detail

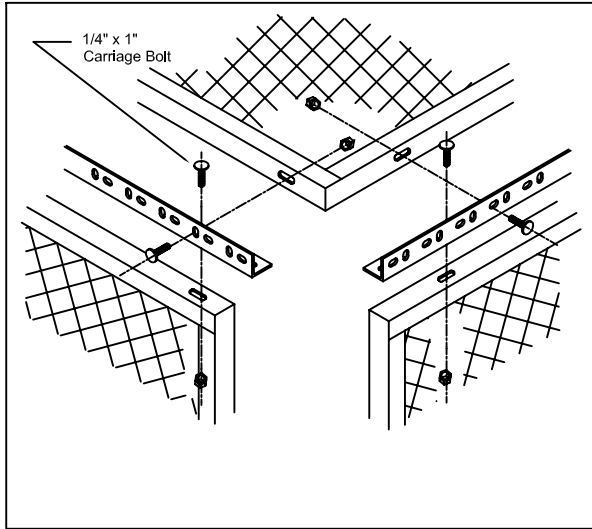


HARDWARE	
1	5/16" x 1" CARRIAGE BOLT
2	5/16" FLANGED HEX HEAD NUT
3	90" LOCKER SPLICE PLATE *

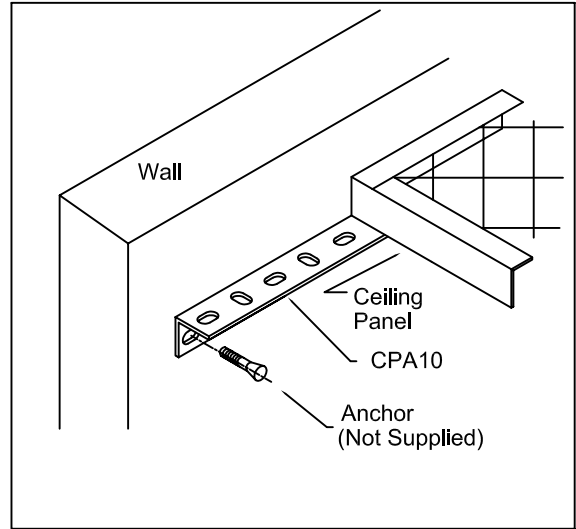
*used depending on orientation of side panel

TYPICAL CEILING APPLICATION

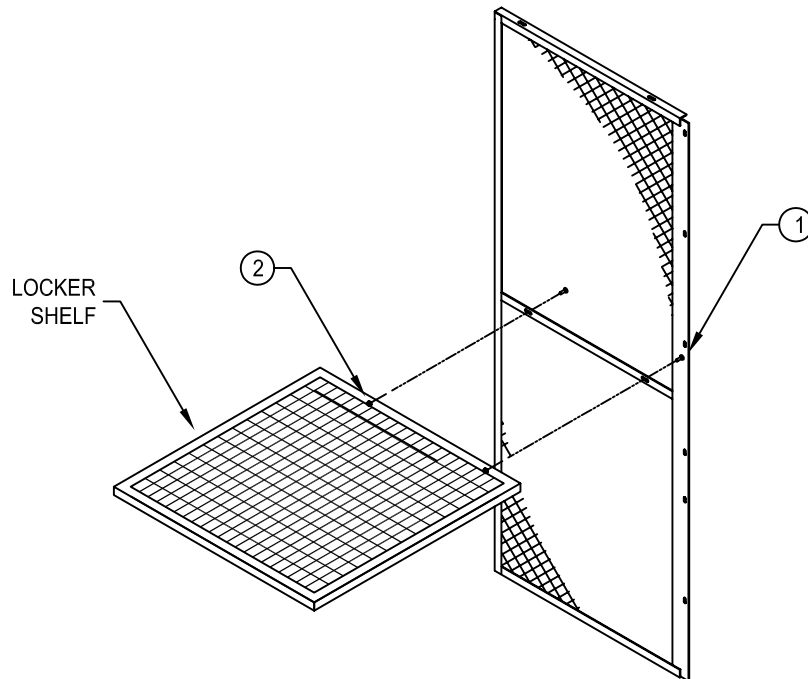
ACPA10 Base Panel to Ceiling Panel Application



ACPA10 to Wall Application

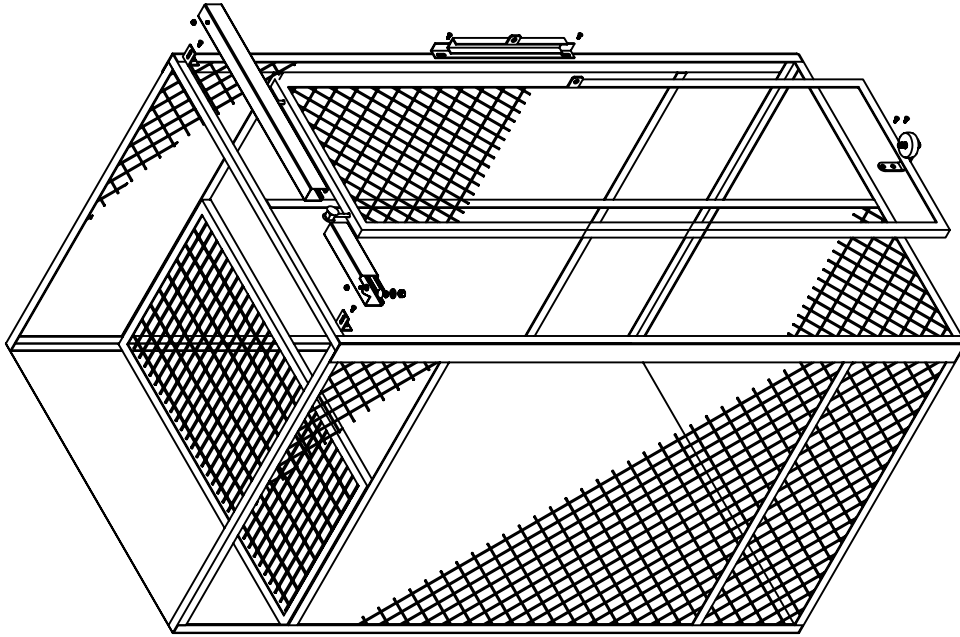


Locker Shelf Detail



HARDWARE	
1	5/16" x 1" CARRIAGE BOLT
2	5/16" FLANGED HEX HEAD NUT

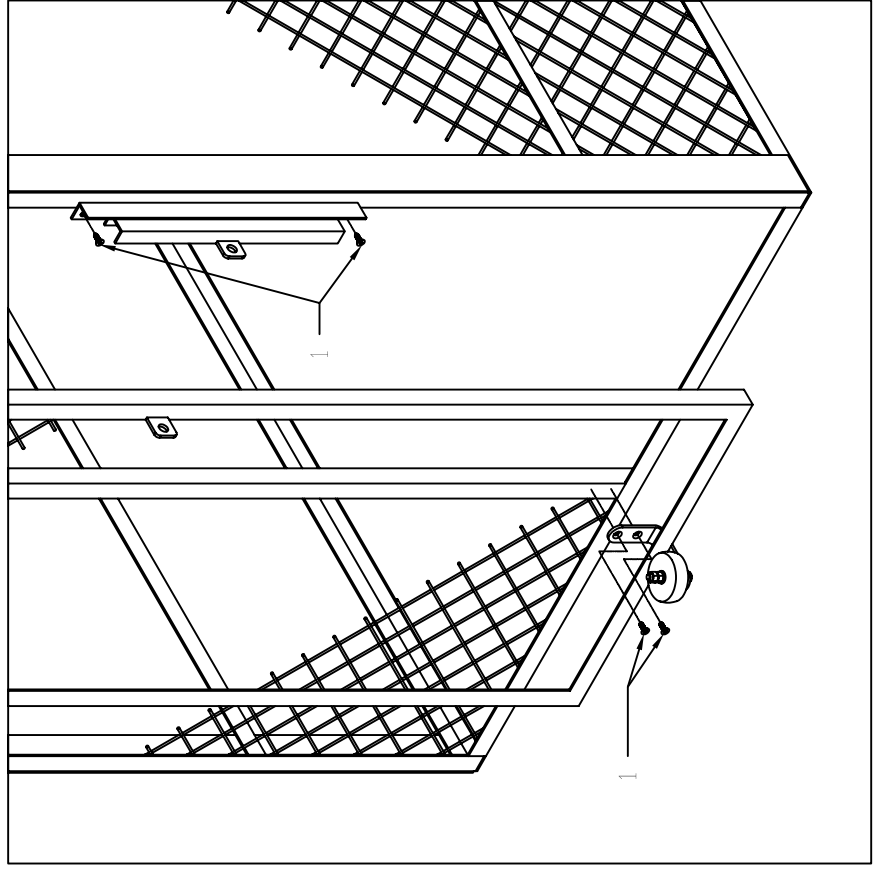
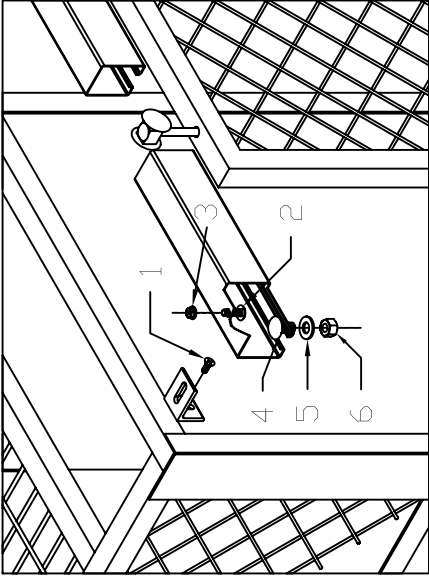
Readiness Locker



INSTALLATION NOTES:
 1) MOUNT LONG LEG OF ANGLE CLIPS
 FLUSH WITH TOP OF FRAME
 AND HANG TRACK

2) LINE UP LOCK RECIEVER WITH DOOR
 PADLOCK LUG

3) MOUNT SLIDE ROLLER



HARDWARE	QTY
1 1/4" X 1" SELF TAP SCREW	6
5/16" X 1" CARRIAGE BOLT	6
5/16" FLANGE NUT	6
1/2" X 1" CARRIAGE BOLT	1
1/2" WASHER	1
1/2" HEX NUT	1