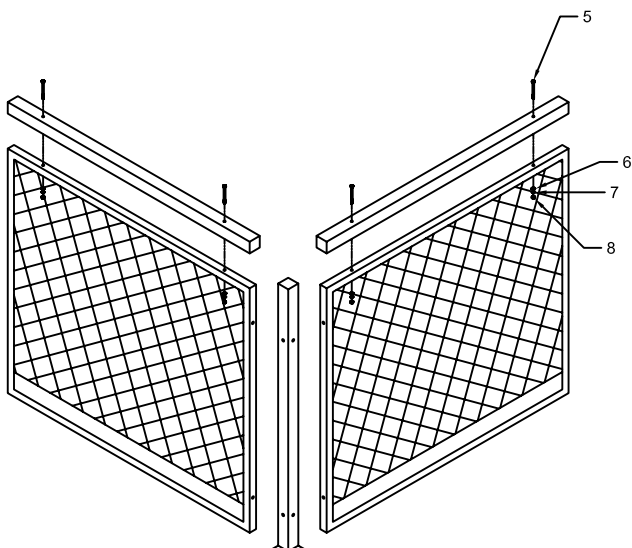
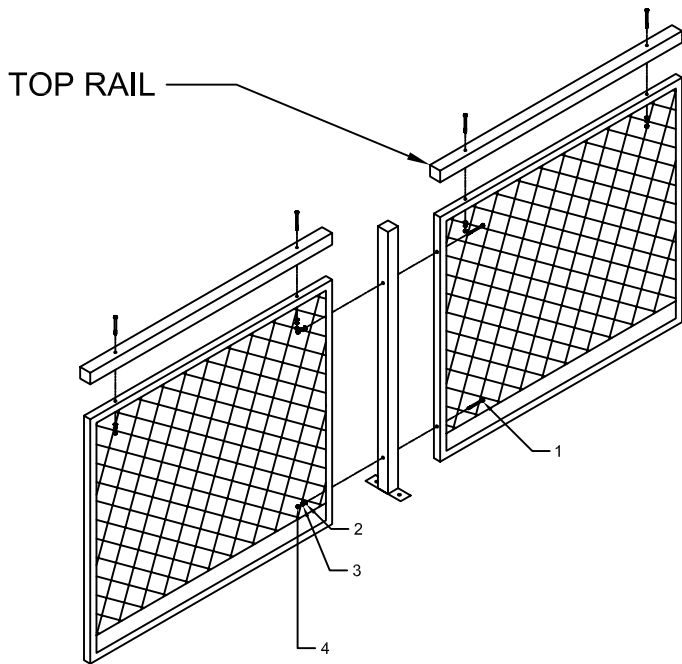


01/01/06

SPACEGUARD

PRODUCTS

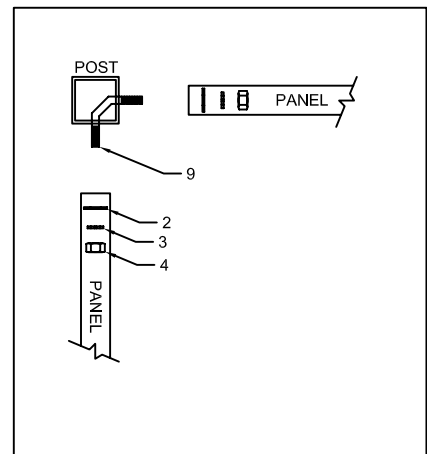
RAILGUARD INSTALLATION INSTRUCTIONS



CORNER POST

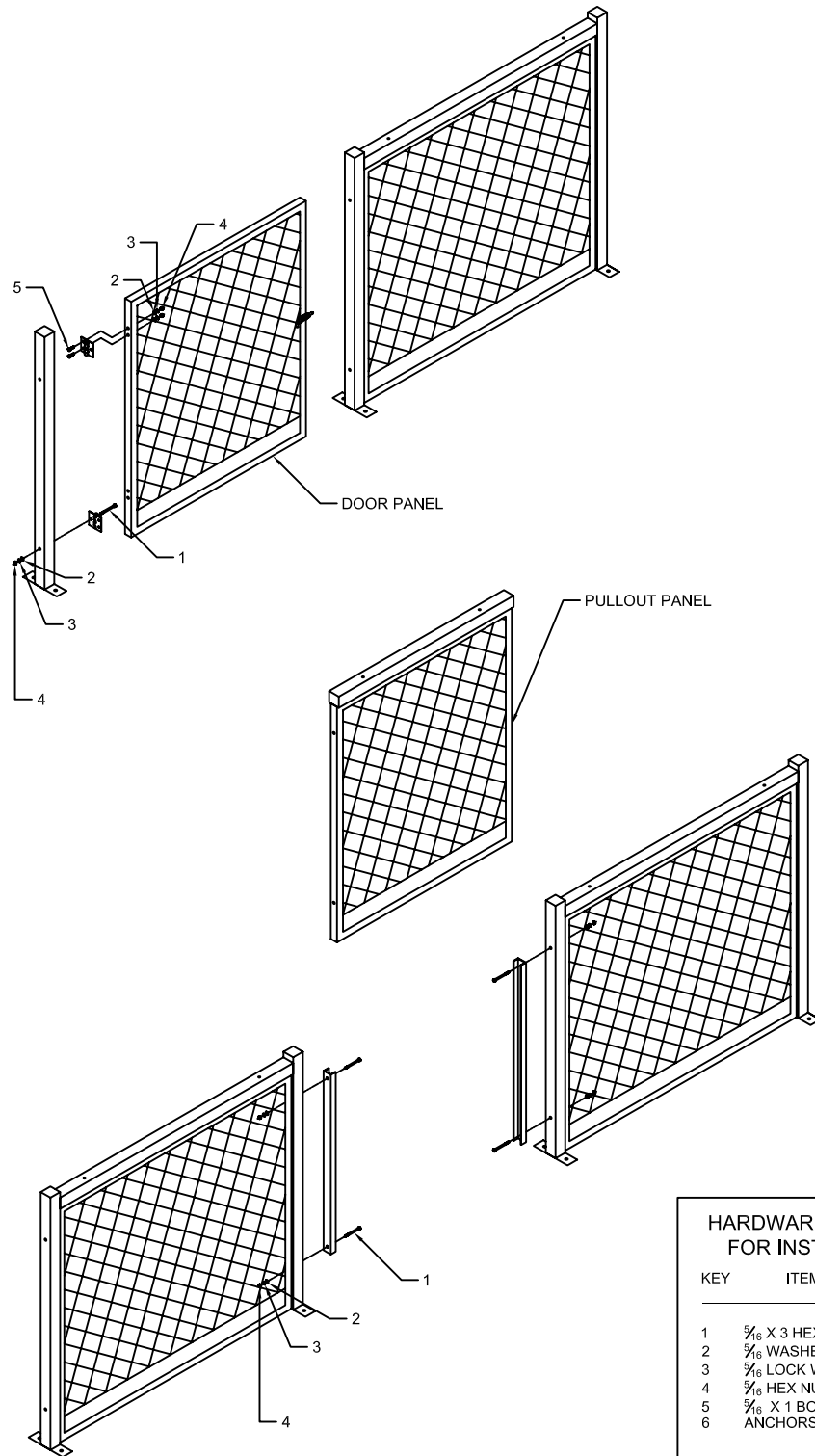
HARDWARE REQUIRED FOR INSTALLATION

KEY	ITEM
1	5/16 X 3 HEX HEAD BOLT
2	5/16 WASHER
3	5/16 LOCK WASHER
4	5/16 HEX NUT
5	1/4 X 2 1/2 BOLT
6	1/4 FLAT WASHER
7	1/4 LOCK WASHER
8	1/4 HEX NUT
9	5/16 ANGLE BOLT
10	ANCHORS (NOT SUPPLIED)



PHONE 1-800-841-0680
FAX 1-800-428-5758

DOOR AND PULLOUT PANEL INSTALLATION INSTRUCTIONS



HARDWARE REQUIRED FOR INSTALLATION

KEY	ITEM
1	$\frac{3}{16}$ X 3 HEX HEAD BOLT
2	$\frac{3}{16}$ WASHER
3	$\frac{3}{16}$ LOCK WASHER
4	$\frac{3}{16}$ HEX NUT
5	$\frac{3}{16}$ X 1 BOLT
6	ANCHORS (NOT SUPPLIED)

PHONE 1-800-841-0680
 FAX 1-800-428-5758